

**450nm 30mW~40mw SM Coaxial Fiber Coupled Laser Diode with PMF**  
**445nm SM Pigtailed LD with Polarization Maintaining Fiber (PM Fiber)**

WSLP-445-030m-PM

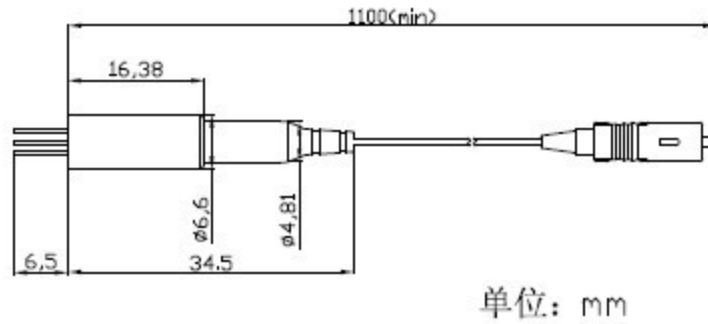
Wavespectrum Laser Group

www.wavespectrum-laser.com

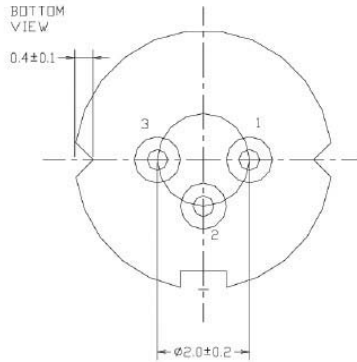
445nm Pigtailed Diode Laser		30mW/PM Fiber		Wavespectrum Laser Group	
PARAMETER	SYMBOL	VALUE		UNIT	
Reverse Voltage	$V_r$	2.0		V	
Operating Temperature	$T_{op}$	+10 ~ +70		°C	
Storage Temperature	$T_{stg}$	-40 ~ +85		°C	
Lead soldering temperature (10 sec.)	$T_{is}$	260		°C	
<b>Features:</b> <ul style="list-style-type: none"> <li>445nm</li> <li>UV 3um PM Fiber</li> <li>Coaxial package</li> <li>PD Optional</li> </ul>					
<b>Applications:</b> <ul style="list-style-type: none"> <li>Medical laser treatment</li> <li>Printing</li> <li>Others</li> </ul>					
<b>Specifications</b>		<b>WSLP-445-030m-PM</b>			
		Min	Type	Max	
Center Wavelength@25°C		440nm	445nm	460nm	
Spectral Width (FWHM)		----	2.0nm	----	
Output Power		----	30mW	40mW	
Fiber Type	UV Polarization Maintaining Fiber				
Fiber Core	3um				
Recommend Operating Temperature	25°C				
Fiber Connector	FC				
Fiber Length		----	80cm	100cm	
Threshold Current (Typ.)		----	30mA	60mA	
Operating Current (Typ.)		----	90mA	120mA	
Operating Voltage		----	5.5V	6.5V	
Package Style	Coaxial				
Photodiode	Optional				



### Coaxial Package View



### PIN Bottom View:



<b>1</b>	<b>LD(+)</b>
<b>2</b>	<b>GND</b>
<b>3</b>	<b>LD(-)</b>

Electrically shorten LD module and store in non-extreme conditions.  
Suggest using the constant current power supply.



Wavespectrum Laser, Inc.  
www.wavespectrum-laser.com  
wavespectrumlaser@gmail.com

