


450nm 50mW~60mw SM Coaxial Fiber Coupled Laser Diode with PMF

445nm SM Pigtailed LD with Polarization Maintaining Fiber (PM Fiber)

WSLP-445-050m-PM

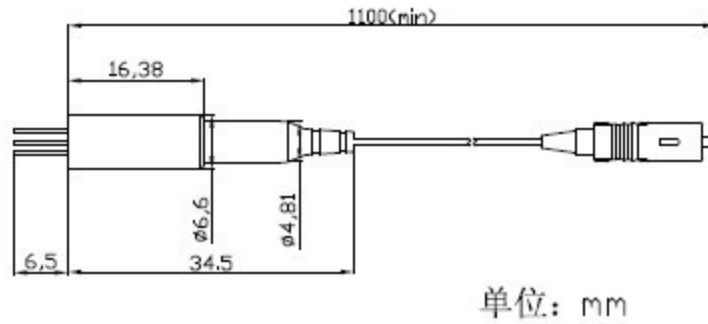
Wavespectrum Laser Group

www.wavespectrum-laser.com

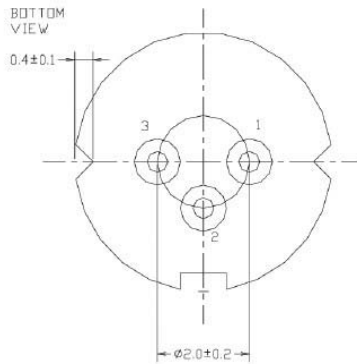
445nm Pigtailed Diode Laser		50mW/PM Fiber		Wavespectrum Laser Group	
PARAMETER	SYMBOL	VALUE		UNIT	
Reverse Voltage	V_r	2.0		V	
Operating Temperature	T_{op}	+10 ~ +70		°C	
Storage Temperature	T_{stg}	-40 ~ +85		°C	
Lead soldering temperature (10 sec.)	T_{is}	260		°C	
Features: <ul style="list-style-type: none"> • 445nm • UV 3um PM Fiber • Coaxial package • PD Optional 					
Applications: <ul style="list-style-type: none"> • Medical laser treatment • Printing • Others 					
Specifications		WSLP-445-050m-PM			
		Min	Type	Max	
Center Wavelength@25°C		440nm	445nm	460nm	
Spectral Width (FWHM)		----	2.0nm	----	
Output Power		----	50mW	60mW	
Fiber Type	UV Polarization Maintaining Fiber				
Fiber Core	3um				
Recommend Operating Temperature	25°C				
Fiber Connector	FC				
Fiber Length		----	80cm	100cm	
Threshold Current (Typ.)		----	30mA	60mA	
Operating Current (Typ.)		----	130mA	160mA	
Operating Voltage		----	5.8V	6.9V	
Package Style	Coaxial				
Photodiode	Optional				



Coaxial Package View



PIN Bottom View:



1	LD(+)
2	GND
3	LD(-)

Electrically shorten LD module and store in non-extreme conditions.
Suggest using the constant current power supply.



Wavespectrum Laser, Inc.
www.wavespectrum-laser.com
wavespectrumlaser@gmail.com

