


635nm 100mw~120mw SM Fiber Coupled LD with PMF

635nm Coaxial Pigtailed Laser Diode with Polarization Maintaining Fiber (PM Fiber)

WSLP-635-100m-PM

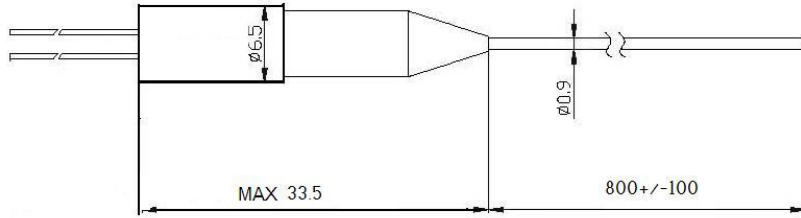
Wavespectrum Laser Group

www.wavespectrum-laser.com

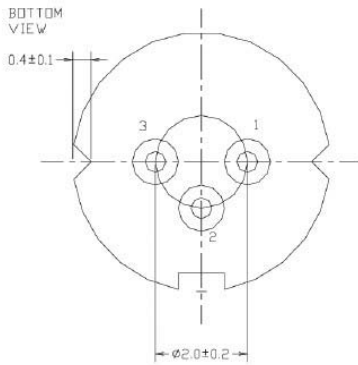
635nm Pigtailed Diode Laser		120m W/PM Fiber		Wavespectrum Laser Group	
PARAMETER	SYMBOL	VALUE		UNIT	
Reverse Voltage	V_r	2.0		V	
Operating Temperature	T_{op}	-10 ~ +40		°C	
Storage Temperature	T_{stg}	-40 ~ +85		°C	
Lead soldering temperature (10 sec.)	T_{is}	260		°C	
Features: <ul style="list-style-type: none"> 635nm PM Fiber Coaxial package 					
Applications: <ul style="list-style-type: none"> Medical laser treatment Aiming beam Others 					
Specifications		WSLP-635-100m-PM			
	Min	Type	Max		
Center Wavelength@25°C	632nm	637nm	644nm		
Recommended work Temperature	25°C				
Output Power	----	100mw	120mw		
Fiber Type	PM Fiber				
Fiber Core	4um				
Monitor Current	----	----	----		
PD Reverse Voltage	----	----	----		
Fiber Connector	FC				
Fiber Length	----	80cm	100cm		
Threshold Current (Typ.)	----	65mA	95mA		
Operating Current (Typ.)	----	285mA	325mA		
Operating Voltage	----	2.7V	3.2V		
Package Style	Coaxial				
PD	Optional				



Coaxial Package View



PIN Bottom View:



1	LD(+)
2	GND
3	LD(-)

Electrically shorten LD module and store in non-extreme conditions.
Suggest using the constant current power supply.



Wavespectrum Laser, Inc.
www.wavespectrum-laser.com
wavespectrumlaser@gmail.com

