


650nm~660nm 100mw SM Fiber Coupled Laser Diode with PMF

650nm Coaxial Pigtailed LD with Polarization Maintaining Fiber (PM Fiber)

WSLP-650-100m-PM

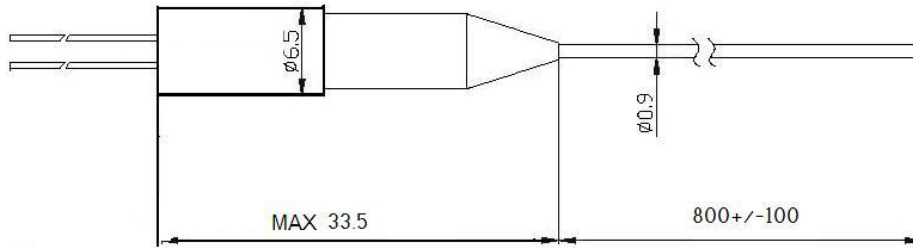
Wavespectrum Laser Group

www.wavespectrum-laser.com

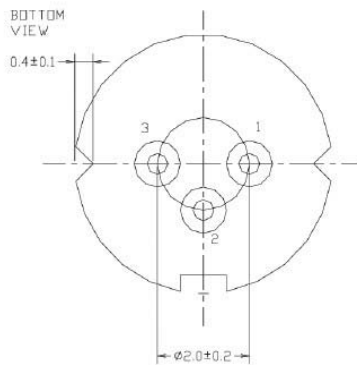
650nm Pigtailed Diode Laser		100m W/PM Fiber		Wavespectrum Laser, Inc	
PARAMETER	SYMBOL	VALUE	UNIT		
Reverse Voltage	V_r	2.0		V	
Operating Temperature	T_{op}	-10 ~ +75		°C	
Storage Temperature	T_{stg}	-40 ~ +100		°C	
Lead soldering temperature (10 sec.)	T_{is}	260		°C	
Features: <ul style="list-style-type: none"> 650nm With PM Fiber Coaxial package 					
Applications: <ul style="list-style-type: none"> Medical laser treatment Other 					
Specifications		WSLP-650-100m-PM			
	Min	Type	Max		
Center Wavelength@25°C	654nm	658nm	662nm		
Spectral Width (FWHM)	----	2.0nm	----		
Output Power	----	90mW	100mW		
Fiber Type	PM Fiber				
Fiber Core	4um				
Recommend Operating Temperature	25°C				
Fiber Connector	FC				
Fiber Length	----	80cm	100cm		
Threshold Current (Typ.)	----	70mA	90mA		
Operating Current (Typ.)	----	260mA	280mA		
Operating Voltage	----	2.4V	3.0V		
Package Style	Coaxial				



Coaxial Package View



PIN Bottom View:



1	LD(+)
2	LD(-)
3	NC

Electrically shorten LD module and store in non-extreme conditions.
Suggest using the constant current power supply.



Wavespectrum Laser, Inc.
www.wavespectrum-laser.com
wavespectrumlaser@gmail.com

