


### 800nm 20mw~30mw SM Pigtailed Laser Diode with PMF

800nm | 30mw Output Power| PM Fiber Coupled LD | Polarization Maintaining Fiber (PMF)

WSLP-800-030m-PM-PD

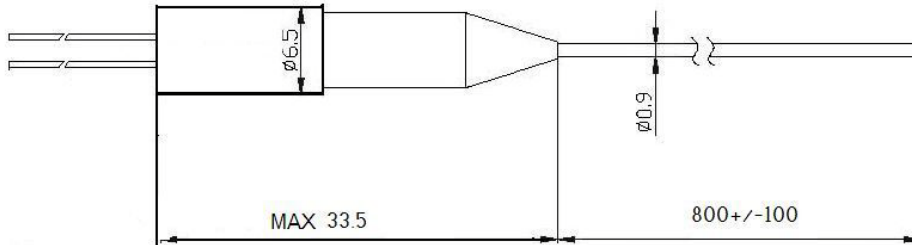
Wavespectrum Laser Group

www.wavespectrum-laser.com

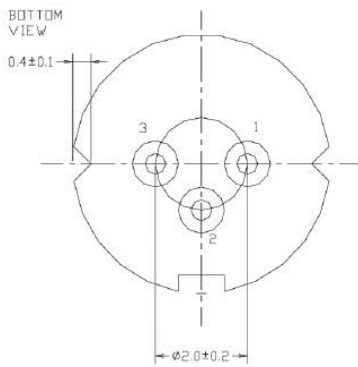
800nm Pigtailed Diode Laser		30mW/PM Fiber		Wavespectrum Laser Group	
PARAMETER	SYMBOL	VALUE		UNIT	
Reverse Voltage	$V_r$	2.0		V	
Operating Temperature	$T_{op}$	-10 ~ +60		°C	
Storage Temperature	$T_{stg}$	-40 ~ +80		°C	
Lead soldering temperature (10 sec.)	$T_{is}$	260		°C	
<b>Features:</b> <ul style="list-style-type: none"> <li>800nm</li> <li>PM Fiber</li> <li>Coaxial package</li> <li>Built-in PD</li> </ul>					
<b>Applications:</b> <ul style="list-style-type: none"> <li>Medical laser treatment</li> <li>Sensor</li> <li>Others</li> </ul>					
<b>Specifications</b>		<b>WSLP-800-030m-PM-PD</b>			
	Min	Type	Max		
Center Wavelength@25°C	+/-1nm	800nm	+/-3nm		
Recommend Operating Temperature	25°C				
Output Power	----	25mw	30mw		
Fiber Type	Polarization Maintaining Fiber				
Fiber Core	5um				
Monitor Current	----	0.2mA	0.5mA		
PD Reverse Voltage	----	30V	----		
Fiber Connector	FC				
Fiber Length	----	80cm	100cm		
Threshold Current (Typ.)	----	16mA	25mA		
Operating Current (Typ.)	----	80mA	100mA		
Operating Voltage	----	1.9V	2.3V		
Package Style	Coaxial				
Photodiode	Built-in				



**Coaxial Package View**



**PIN Bottom View:**



<b>1</b>	<b>LD(-)</b>
<b>2</b>	<b>LD(+)&amp;PD(-)</b>
<b>3</b>	<b>PD(+)</b>

Electrically shorten LD module and store in non-extreme conditions.  
Suggest using the constant current power supply.



Wavespectrum Laser, Inc.  
www.wavespectrum-laser.com  
wavespectrumlaser@gmail.com

