


## 405nm 100mW~110mW Receptacle Laser Diodes (LD)

### 405nm MM Receptacle Laser Diodes Module

WSLR-405-100m-M

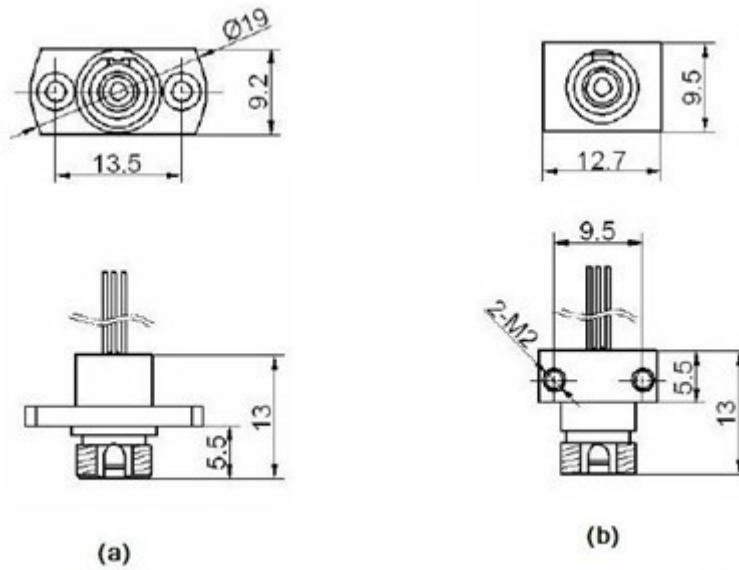
Wavespectrum laser inc.

[www.wavespectrum-laser.com](http://www.wavespectrum-laser.com)

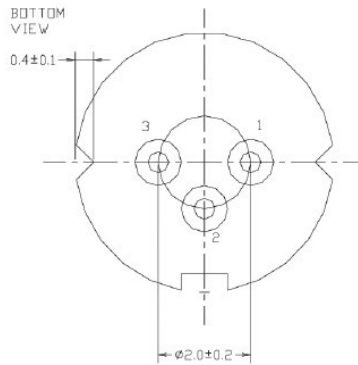
PARAMETER	SYMBOL	VALUE	UNIT
Reverse Voltage	$V_r$	2.0	V
Operating Temperature	$T_{op}$	-10~+60	°C
Storage Temperature	$T_{stg}$	-40 ~ +85	°C
Lead soldering temperature (10 sec.)	$T_{is}$	260	°C
<b>Features:</b> <ul style="list-style-type: none"> <li>● 405nm</li> <li>● UV Fiber</li> <li>● Receptacle package</li> </ul>			
<b>Applications:</b> <ul style="list-style-type: none"> <li>● Medical laser treatment</li> <li>● Printing</li> <li>● Others</li> </ul>			
<b>Specifications</b>	<b>WSLR-405-100m-M</b>		
	Min	Type	Max
Center Wavelength@25°C	400nm	405nm	410nm
Spectral Width (FWHM)	----	2.0nm	----
Optical Fiber Output Power (After Fiber)	----	100mw	----
Fiber Specification	50um/60um		
	0.12/0.22		
Recommended Operating Temperature	25°C		
Ferrule Type	FC		
Other Customized Ferrule Type	SC, SMA905		
Threshold Current (Typ.)	----	40mA	50mA
Operating Current (Typ.)	----	140mA	160mA
Operating Voltage	----	5.0V	5.5V
Package Style	Receptacle		



### FC Connector Receptacle Package View



### PIN Bottom View:



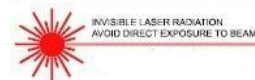
1	LD(+)
2	GND
3	LD(-)

Electrically shorten LD module and store in non-extreme conditions.

Suggest using the constant current power supply.

**Caution**

On operation, if optical connectors are unterminated, modules can emit invisible laser radiation. Radiation emitted by laser devices can be dangerous to the eyes. Avoided eye or skin exposure to direct or scattered radiation.



Invisible Laser Radiation  
Avoid Direct Exposure to  
Beam  
Class 3B Laser Product

