


## 650nm 658nm 660nm 50mW Receptacle Laser Diode (LD) Module

### 658nm Receptacle 50mw LD Module

WSLR-650-050m-M

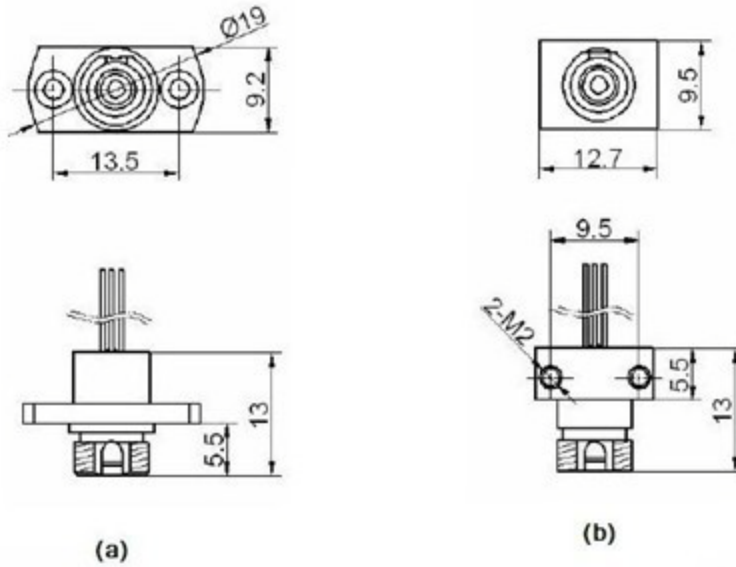
Wavespectrum laser inc.

[www.wavespectrum-laser.com](http://www.wavespectrum-laser.com)

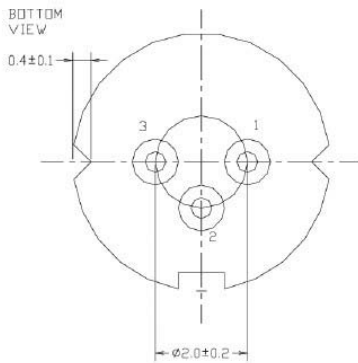
650nm Pigtailed Diode Laser		50mW		Wavespectrum Laser, Inc	
PARAMETER	SYMBOL	VALUE	UNIT		
Reverse Voltage	$V_r$	2.0		V	
Operating Temperature	$T_{op}$	-10~+50		°C	
Storage Temperature	$T_{stg}$	-40 ~ +85		°C	
Lead soldering temperature (10 sec.)	$T_{is}$	260		°C	
<b>Features:</b> <ul style="list-style-type: none"> <li>650nm</li> <li>MM Fiber</li> <li>Receptacle package</li> </ul>					
<b>Applications:</b> <ul style="list-style-type: none"> <li>Medical laser treatment</li> <li>Printing</li> <li>Others</li> </ul>					
<b>Specifications</b>	<b>WSLR-650-050m-M</b>				
	Min	Type		Max	
Center Wavelength@25°C	654nm	658nm		662nm	
Spectral Width (FWHM)	----	2.0nm		----	
Optical Fiber Output Power (After Fiber)	----	50mw		----	
Fiber Specification	62.5um , 105um ( or more)				
	0.22 (or more)				
Slope Efficiency	----	0.95mW/mA		----	
Monitor Current	----	----		----	
PD Reverse Voltage	----	----		----	
Ferrule Type	FC				
Other Customized Ferrule Type	ST, SC				
Threshold Current (Typ.)	----	65mA		----	
Operating Current (Typ.)	----	150mA		----	
Operating Voltage	----	2.4V		3.0V	
Package Style	Receptacle				



### FC Connector Receptacle Package View



### PIN Bottom View:



1	LD(+)
2	GND
3	LD(-)

Electrically shorten LD module and store in non-extreme conditions.

Suggest using the constant current power supply.

**Caution**

On operation, if optical connectors are unterminated, modules can emit invisible laser radiation. Radiation emitted by laser devices can be dangerous to the eyes. Avoided eye or skin exposure to direct or scattered radiation

