


690nm 15mw Receptacle LD (Laser Diodes) Module

690nm MM Receptacle Laser Diode

WSLR-690-015m-M-PD

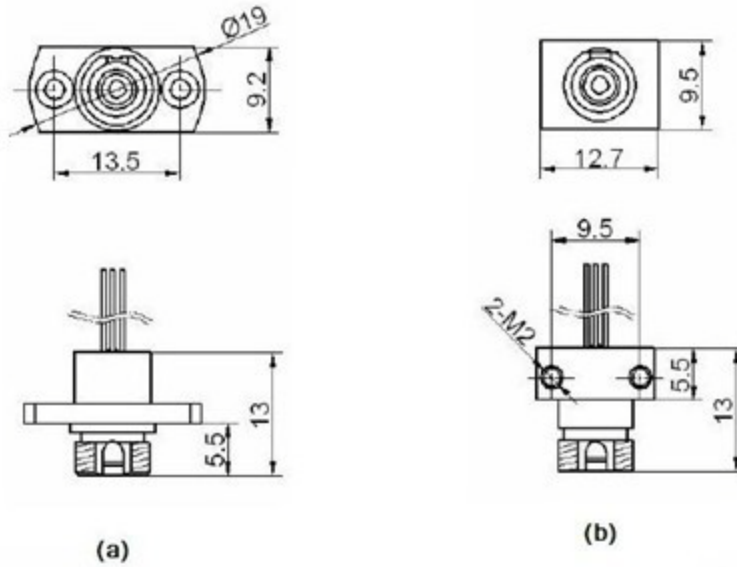
Wavespectrum laser inc.

www.wavespectrum-laser.com

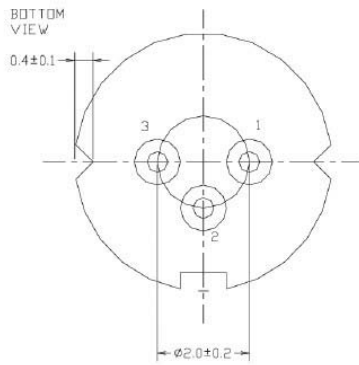
PARAMETER	SYMBOL	VALUE	UNIT
Reverse Voltage	V_r	2.0	V
Operating Temperature	T_{op}	-10 ~ +70	°C
Storage Temperature	T_{stg}	-40 ~ +85	°C
Lead soldering temperature (10 sec.)	T_{is}	260	°C
Features: <ul style="list-style-type: none"> • 690nm • With MM Fiber • Receptacle package • Built-in PD 			
Applications: <ul style="list-style-type: none"> • Medical laser treatment • Printing 			
Specifications	WSLR-690-015m-M-PD		
	Min	Type	Max
Center Wavelength@25°C	680nm	690nm	695nm
Spectral Width (FWHM)	----	----	2.0nm
Optical Fiber Output Power (After Fiber)	----	15mw	----
Fiber Specification	62.5um , 105um (or more)		
	0.22 (or more)		
Slope Efficiency	0.5mW/mA	0.7mW/mA	0.9mW/mA
Monitor Current	0.02mA	0.1mA	0.45mA
PD Reverse Voltage	----	30V	----
Ferrule Type	FC		
Other Customized Ferrule Type	SC, ST		
Threshold Current (Typ.)	----	45mA	----
Operating Current (Typ.)	----	90mA	----
Operating Voltage	----	2.5V	2.8V
Package Style	Receptacle		
Recommended Operating Temperature	25°C		



FC Connector Receptacle Package View



PIN Bottom View:



1	LD(+)
2	LD(-)&PD(+)
3	PD(-)

Electrically shorten LD module and store in non-extreme conditions.

Suggest using the constant current power supply.

Caution

On operation, if optical connectors are unterminated, modules can emit invisible laser radiation. Radiation emitted by laser devices can be dangerous to the eyes. Avoided eye or skin exposure to direct or scattered radiation

