

780nm 50mw Receptacle Laser Diode Module with MM Fiber

780nm~785nm Receptacle LD (Laser Diode)

WSLR-785-050m-M-PD

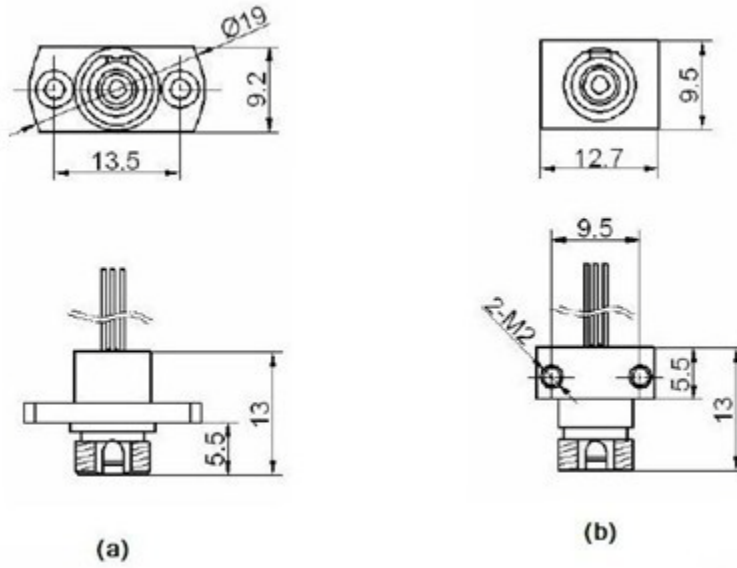
Wavespectrum laser inc.

www.wavespectrum-laser.com

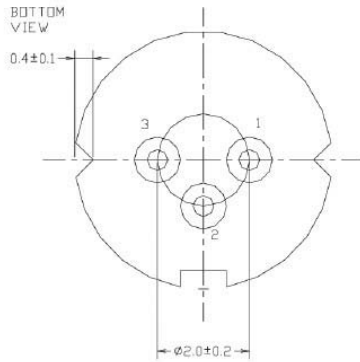
785nm Receptacle Diode Laser		50mW	Wavespectrum Laser, Inc	
PARAMETER	SYMBOL	VALUE	UNIT	
Reverse Voltage	V_r	2.0	V	
Operating Temperature	T_{op}	-10 ~ +50	°C	
Storage Temperature	T_{stg}	-40 ~ +85	°C	
Lead soldering temperature (10 sec.)	T_{is}	260	°C	
Features: <ul style="list-style-type: none"> • 785nm • MM Fiber • Receptacle Package • Built-in PD 				
Applications: <ul style="list-style-type: none"> • Medical laser treatment • Others 				
Specifications	WSLR-785-050m-M-PD			
	Min	Type	Max	
Center Wavelength@25°C	775nm	785nm	795nm	
Spectral Width (FWHM)	----	2.0nm	----	
Optical Fiber Output Power (After Fiber)	----	50mw	----	
Fiber Specification	62.5um , 105um (or more)			
	0.22 (or more)			
Slope Efficiency	----	1.1mW/mA	----	
Monitor Current	0.1mA	0.25mA	0.6mA	
PD Reverse Voltage	----	30V	----	
Ferrule Type	FC			
Other Customized Ferrule Type	ST , SC			
Threshold Current (Typ.)	----	30mA	50mA	
Operating Current (Typ.)	----	100mA	140mA	
Operating Voltage	----	2.0V	2.8V	
Package Style	Receptacle			
Recommended Operating Temperature	25°C			



FC Connector Receptacle Package View



PIN Bottom View:



1	LD(-)
2	LD(+)&PD(-)
3	PD(+)

Electrically shorten LD module and store in non-extreme conditions.

Suggest using the constant current power supply.

