

## 785nm~780nm 100mW Receptacle Laser Diode Module

## 780nm~785nm MM Receptacle LD

WSLR-785-100m-M

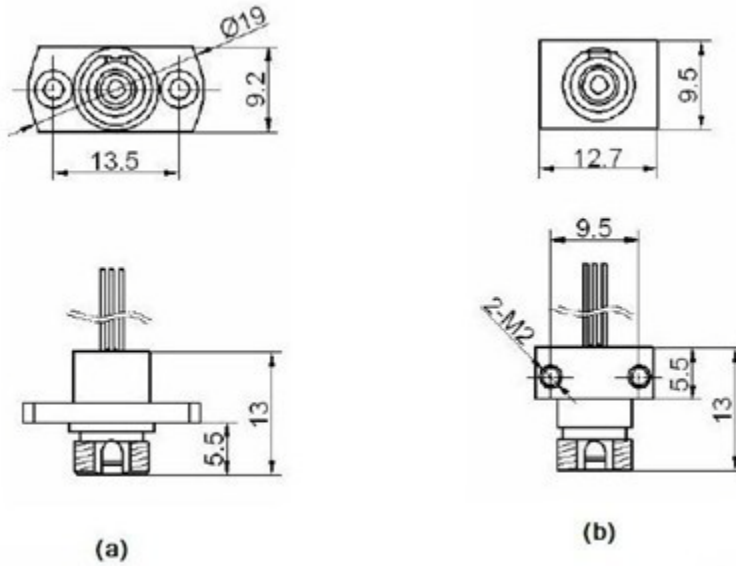
Wavespectrum laser inc.

[www.wavespectrum-laser.com](http://www.wavespectrum-laser.com)

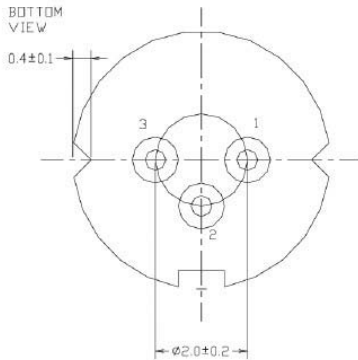
785nm Receptacle Diode Laser		100mW		Wavespectrum Laser, Inc	
PARAMETER	SYMBOL	VALUE	UNIT		
Reverse Voltage	$V_r$	2.0	V		
Operating Temperature	$T_{op}$	-10 ~ +40	°C		
Storage Temperature	$T_{stg}$	-40 ~ +85	°C		
Lead soldering temperature (10 sec.)	$T_{is}$	260	°C		
<b>Features:</b> <ul style="list-style-type: none"> <li>• 785nm</li> <li>• MM Fiber</li> <li>• Receptacle Package</li> </ul>					
<b>Applications:</b> <ul style="list-style-type: none"> <li>• Medical laser treatment</li> <li>• Others</li> </ul>					
<b>Specifications</b>	<b>WSLR-785-100m-M</b>				
	Min	Type	Max		
Center Wavelength@25°C	775nm	785nm	795nm		
Spectral Width (FWHM)	----	----	----		
Optical Fiber Output Power (After Fiber)	----	100mw	----		
Fiber Specification	62.5um , 105um ( or more )				
	0.22 (or more)				
Slope Efficiency	----	1.1mW/mA	----		
Monitor Current	----	----	----		
PD Reverse Voltage	----	----	----		
Ferrule Type	FC				
Other Customized Ferrule Type	SC , ST				
Threshold Current (Typ.)	----	37mA	----		
Operating Current (Typ.)	----	180mA	----		
Operating Voltage	----	2.3V	----		
Package Style	Receptacle				
Recommended Operating Temperature	25°C				



**FC Connector Receptacle Package View**



**PIN Bottom View:**



<b>1</b>	<b>LD(+)</b>
<b>2</b>	<b>LD(-) &amp; Case</b>
<b>3</b>	<b>NC</b>

Electrically shorten LD module and store in non-extreme conditions.  
Suggest using the constant current power supply.

