

808nm 100mw~120mw Receptacle Laser Diode Module

808nm~810nm MM Receptacle LD Module

WSLR-808-120m-M-PD

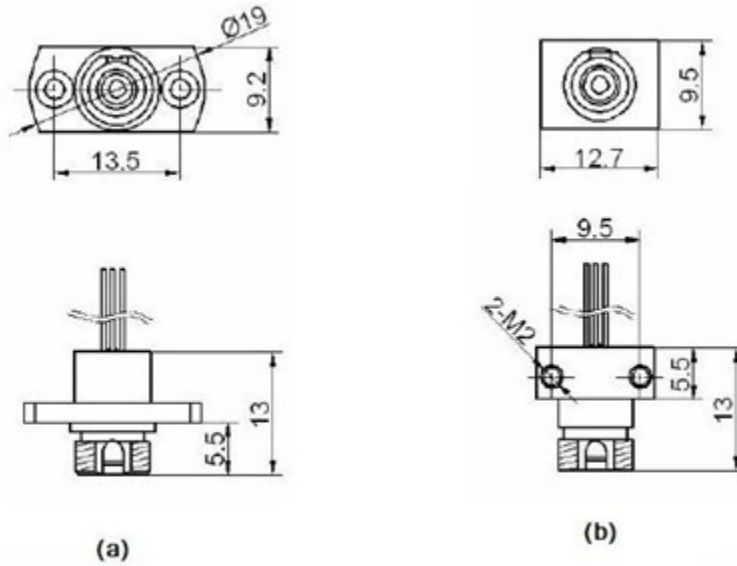
Wavespectrum laser inc.

www.wavespectrum-laser.com

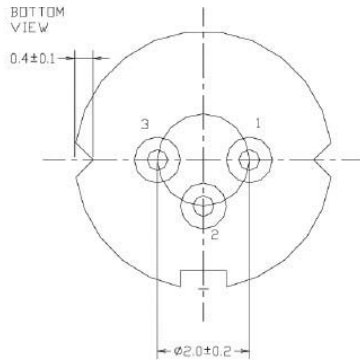
808nm Receptacle Diode Laser		120mW		Wavespectrum Laser, Inc	
PARAMETER	SYMBOL	VALUE	UNIT		
Reverse Voltage	V_r	2.0		V	
Operating Temperature	T_{op}	-10 ~ +45		°C	
Storage Temperature	T_{stg}	-40 ~ +85		°C	
Lead soldering temperature (10 sec.)	T_{is}	260		°C	
Features: <ul style="list-style-type: none"> ● 808nm ● MM Fiber ● Receptacle Package ● Built-in PD 					
Applications: <ul style="list-style-type: none"> ● Medical laser treatment ● Others 					
Specifications	WSLR-808-120m-M-PD				
	Min	Type	Max		
Center Wavelength@25°C	805nm	808nm	811nm		
Spectral Width (FWHM)	----	2.0nm	3.0nm		
Optical Fiber Output Power (After Fiber)	----	100mW	120mW		
Fiber Specification	62.5um , 105um (or more)				
	0.22 (or more)				
Slope Efficiency	0.95mW/mA	1.0mW/mA	1.10mW/mA		
Monitor Current	----	0.3mA	----		
PD Reverse Voltage	----	30V	----		
Ferrule Type	FC				
Other Customized Ferrule Type	SC , ST				
Threshold Current (Typ.)	----	50mA	60mA		
Operating Current (Typ.)	----	260mA	300mA		
Operating Voltage	----	1.8V	2.3V		
Package Style	Receptacle				
Recommended Operating Temperature	25°C				



FC Connector Receptacle Package View



PIN Bottom View:



1	LD(-)
2	LD(+)&PD(-)
3	PD(+)

Electrically shorten LD module and store in non-extreme conditions.

Suggest using the constant current power supply.

