

## 808nm 810nm 180mW~200mw Receptacle LD (Laser Diodes)

### 808nm MM Receptacle Laser Diodes (LD) Module

WSLR-808-180m-M-PD

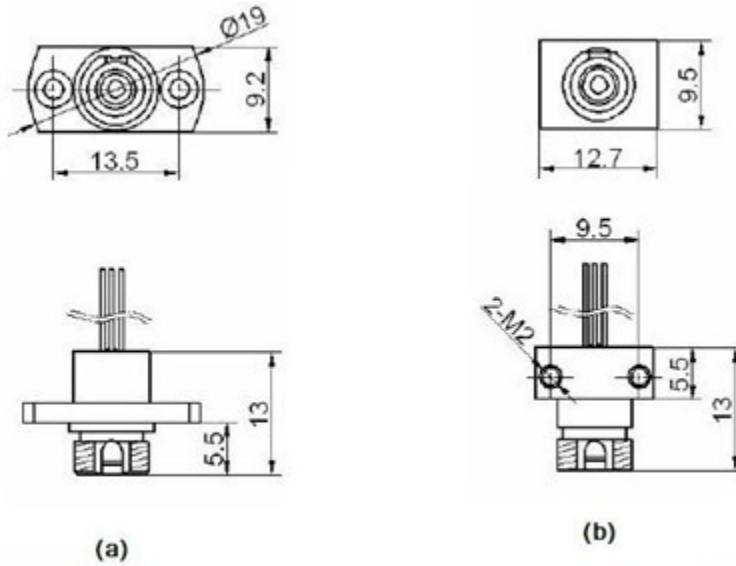
Wavespectrum laser inc.

www.wavespectrum-laser.com

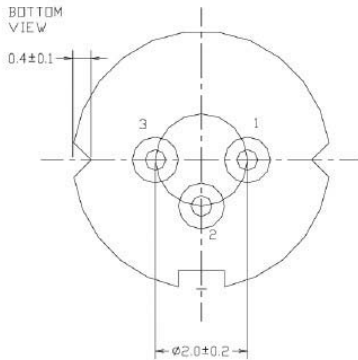
808nm Receptacle Diode Laser		180mW		Wavespectrum Laser, Inc	
PARAMETER	SYMBOL	VALUE	UNIT		
Reverse Voltage	$V_r$	2.0		V	
Operating Temperature	$T_{op}$	-10 ~ +45		°C	
Storage Temperature	$T_{stg}$	-40 ~ +85		°C	
Lead soldering temperature (10 sec.)	$T_{is}$	260		°C	
<b>Features:</b> <ul style="list-style-type: none"> <li>• 808nm</li> <li>• MM Fiber</li> <li>• Receptacle package</li> <li>• Built-in PD</li> </ul>					
<b>Applications:</b> <ul style="list-style-type: none"> <li>• Medical laser treatment</li> <li>• Others</li> </ul>					
<b>Specifications</b>	<b>WSLR-808-180m-M-PD</b>				
	Min	Type	Max		
Center Wavelength@25°C	805nm	808nm	811nm		
Spectral Width (FWHM)	----	2.0nm	3.0nm		
Optical Fiber Output Power (After Fiber)	----	180mW	----		
Fiber Specification	62.5um , 105um ( or more )				
	0.22 (or more)				
Slope Efficiency	0.7mW/mA	1.0mW/mA	1.10mW/mA		
Monitor Current	----	0.3mA	----		
PD Reverse Voltage	----	30V	----		
Ferrule Type	FC				
Other Customized Ferrule Type	ST, SC				
Threshold Current (Typ.)	----	65mA	100mA		
Operating Current (Typ.)	----	350mA	400mA		
Operating Voltage	----	1.8V	2.3V		
Package Style	Receptacle				
Recommended Operating Temperature	25°C				



**FC Connector Receptacle Package View**



**PIN Bottom View:**



<b>1</b>	<b>LD(-)</b>
<b>2</b>	<b>LD(+)&amp;PD(-)</b>
<b>3</b>	<b>PD(+)</b>

Electrically shorten LD module and store in non-extreme conditions.  
Suggest using the constant current power supply.

