

## 850nm 30mW MM Fiber Receptacle Laser Diodes (LD) Module

### 840nm~850nm 30mw Receptacle LD Module

WSLR-850-030m-M-PD

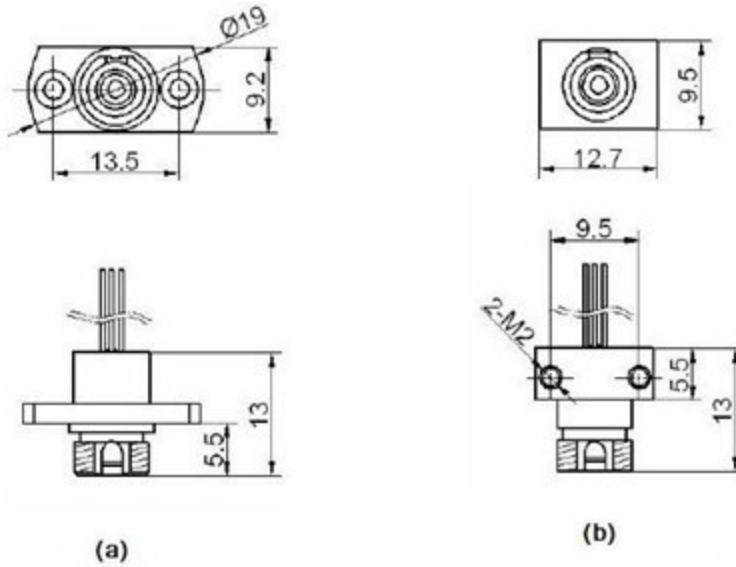
Wavespectrum laser inc.

www.wavespectrum-laser.com

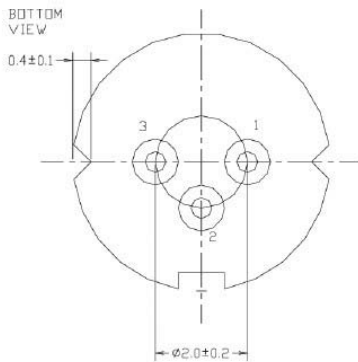
850nm Receptacle Diode Laser		30mW		Wavespectrum Laser, Inc	
PARAMETER	SYMBOL	VALUE	UNIT		
Reverse Voltage	$V_r$	2.0	V		
Operating Temperature	$T_{op}$	-10 ~ +40	°C		
Storage Temperature	$T_{stg}$	-15 ~ +85	°C		
Lead soldering temperature (10 sec.)	$T_{is}$	260	°C		
<b>Features:</b> <ul style="list-style-type: none"> <li>• 850nm</li> <li>• MM Fiber</li> <li>• Receptacle Package</li> <li>• Built-in PD</li> </ul>					
<b>Applications:</b> <ul style="list-style-type: none"> <li>• Medical laser treatment</li> <li>• Others</li> </ul>					
<b>Specifications</b>	<b>WSLR-850-030m-M-PD</b>				
	Min	Type	Max		
Center Wavelength@25°C	830nm	850nm	855nm		
Spectral Width (FWHM)	----	2.0nm	----		
Optical Fiber Output Power (After Fiber)	----	30mW	----		
Fiber Specification	62.5um , 105um				
	0.22 N.A.				
Slope Efficiency	0.7mW/mA	0.9mW/mA	----		
Monitor Current	----	0.1mA	----		
PD Reverse Voltage	----	30V	----		
Ferrule Type	FC				
Other Customized Ferrule Type	ST , SC				
Threshold Current (Typ.)	----	28mA	35mA		
Operating Current (Typ.)	----	85mA	110mA		
Operating Voltage	1.5V	1.8V	2.1V		
Package Style	Receptacle				
Recommended Operating Temperature	25°C				



**FC Connector Receptacle Package View**



**PIN Bottom View:**



<b>1</b>	<b>PD(+)</b>
<b>2</b>	<b>LD(+)&amp;PD(-)</b>
<b>3</b>	<b>LD(-)</b>

Electrically shorten LD module and store in non-extreme conditions.

Suggest using the constant current power supply.

