

## 850nm 50mW Receptacle Laser Diode (LD) Module

### 840nm~850nm 50mw MM Fiber Receptacle LD

WSLR-850-050m-M-PD

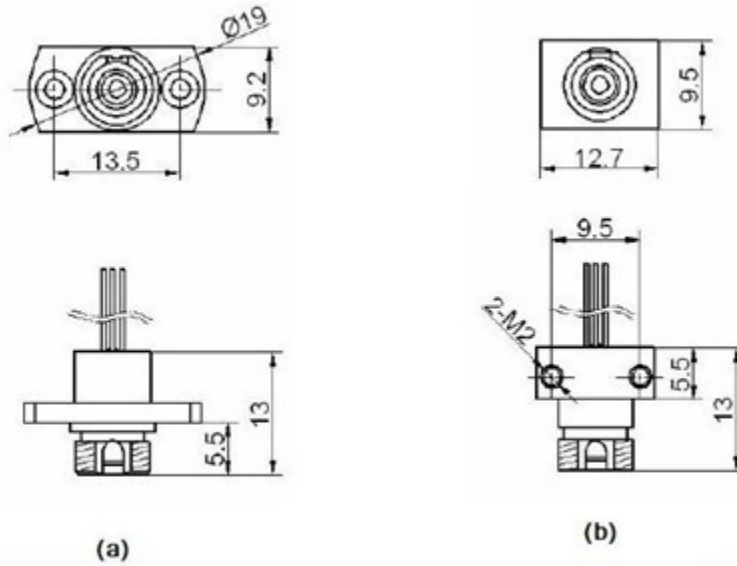
Wavespectrum laser inc.

www.wavespectrum-laser.com

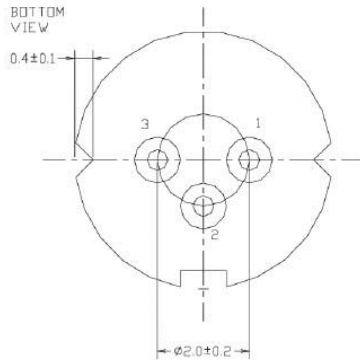
| 850nm Receptacle Diode Laser   |  | 50mW      |       | Wavespectrum Laser, Inc |  |
|--|--|-----------|-------|-------------------------|--|
| PARAMETER  | SYMBOL   | VALUE     | UNIT  |                         |  |
| Reverse Voltage  | $V_r$  | 2.0       | V     |                         |  |
| Operating Temperature  | $T_{op}$   | -10 ~ +40 | °C    |                         |  |
| Storage Temperature  | $T_{stg}$  | -15 ~ +85 | °C    |                         |  |
| Lead soldering temperature (10 sec.)   | $T_{is}$   | 260       | °C    |                         |  |
| <b>Features:</b><br>λ 850nm<br>λ MM Fiber<br>λ Receptacle Package<br>λ Built-in PD |  |           |       |                         |  |
| <b>Applications:</b><br>λ Medical laser treatment<br>λ Others                      |  |           |       |                         |  |
| <b>Specifications</b>  | <b>WSLR-850-050m-M-PD</b>  |           |       |                         |  |
|  | Min  | Type      | Max   |                         |  |
| Center Wavelength@25°C   | 830nm  | 850nm     | 855nm |                         |  |
| Spectral Width (FWHM)  | ----   | 2.0nm     | ----  |                         |  |
| Optical Fiber Output Power (After Fiber)   | ----   | >50mW     | ----  |                         |  |
| Fiber Specification  | 62.5um or 105um Fiber Core   |           |       |                         |  |
|  | 0.22N.A.   |           |       |                         |  |
| Slope Efficiency   | 0.7mW/mA   | 0.9mW/mA  | ----  |                         |  |
| Monitor Current  | ----   | 0.15mA    | ----  |                         |  |
| PD Reverse Voltage   | ----   | 30V       | ----  |                         |  |
| Ferrule Type   | FC   |           |       |                         |  |
| Other Customized Ferrule Type  | SC , ST  |           |       |                         |  |
| Threshold Current (Typ.)   | ----   | 110mA     | 140mA |                         |  |
| Operating Current (Typ.)   | ----   | 220mA     | 280mA |                         |  |
| Operating Voltage  | ----   | 1.8V      | 2.5V  |                         |  |
| Package Style  | Receptacle   |           |       |                         |  |
| Recommended Operating Temperature  | 25°C   |           |       |                         |  |



### FC Connector Receptacle Package View



### PIN Bottom View:



|          |                        |
|----------|------------------------|
| <b>1</b> | <b>PD(+)</b>           |
| <b>2</b> | <b>LD(+)&amp;PD(-)</b> |
| <b>3</b> | <b>LD(-)</b>           |

Electrically shorten LD module and store in non-extreme conditions.

Suggest using the constant current power supply.

