



**905nm 50mW Receptacle Laser Diode (LD) Module**

**905nm~915nm MM Fiber Receptacle LD**

WSLR-905-050m-M-PD

Wavespectrum laser inc.

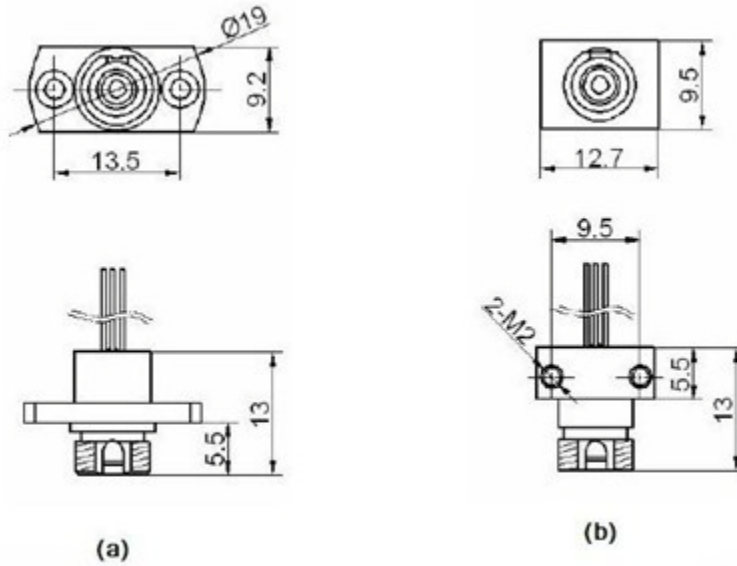
www.wavespectrum-laser.com

905nm Receptacle Diode Laser		50mW/MM Fiber		Wavespectrum Laser, Inc	
PARAMETER	SYMBOL	VALUE		UNIT	
Reverse Voltage	$V_r$	2.0		V	
Operating Temperature	$T_{op}$	-20 ~ +50		°C	
Storage Temperature	$T_{stg}$	-40 ~ +80		°C	
Lead soldering temperature (10 sec.)	$T_{is}$	250		°C	
<b>Features:</b> <ul style="list-style-type: none"> <li>905nm</li> <li>Receptacle package</li> <li>Built-in PD</li> </ul>					
<b>Applications:</b> <ul style="list-style-type: none"> <li>Medical laser treatment</li> <li>Communication</li> <li>Others</li> </ul>					
<b>Specifications</b>		<b>WSLR-905-050m-M-PD</b>			
	Min	Type	Max		
Center Wavelength@25°C	+/-5nm	905nm	+/-15nm		
Spectral Width (FWHM)	----	0.5nm	2.0nm		
Optical Fiber Output Power (After Fiber)	----	50mW	----		
Fiber Specification	62.5um or 105um Fiber Core				
	0.22 N.A.				
Slope Efficiency	0.8mW/mA	0.9mW/mA	----		
Monitor Current	----	0.1mA	----		
PD Reverse Voltage	----	30V	----		
Ferrule Type	FC				
Other Customized Ferrule Type	ST, SC				
Threshold Current (Typ.)	----	35mA	55mA		
Operating Current (Typ.)	----	135mA	165mA		
Operating Voltage	----	1.8V	2.3V		
Package Style	Receptacle				
Recommended Operating Temperature	25°C				

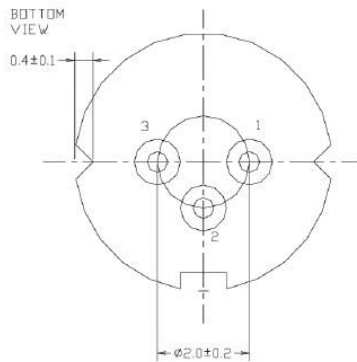
Wavespectrum Laser, Inc.  
www.wavespectrum-laser.com  
wavespectrumlaser@gmail.com



### FC Connector Receptacle Package View



### PIN Bottom View:



<b>1</b>	<b>LD(-)</b>
<b>2</b>	<b>LD(+)&amp;PD(-)</b>
<b>3</b>	<b>PD(+)</b>

Electrically shorten LD module and store in non-extreme conditions.

Suggest using the constant current power supply.

