

1064nm 50mw SM laser diode with PD

1060nm | 50mw | Single Mode LD | 5.6mm TO18 Package

WSLD-1064-050m-1-PD

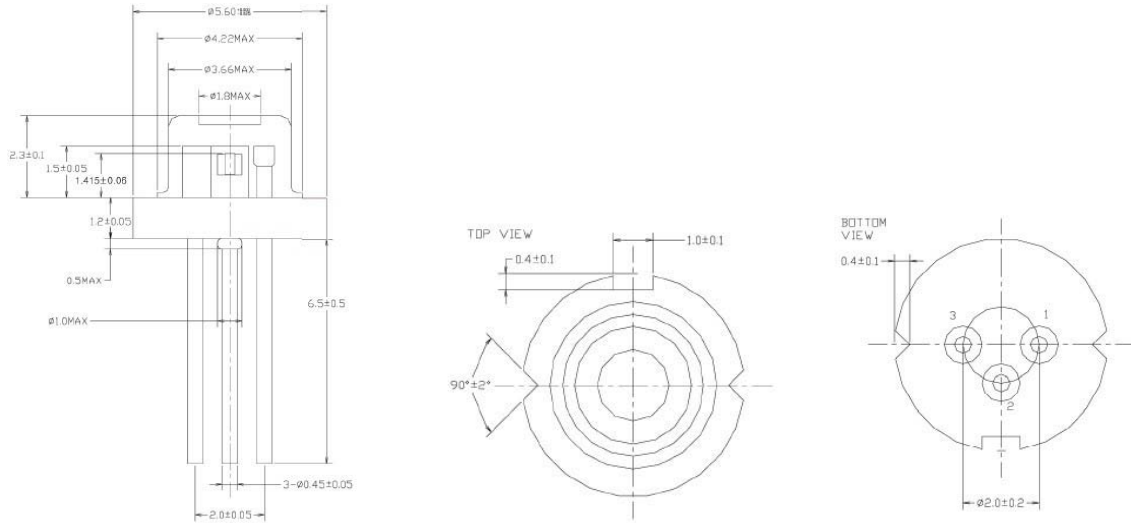
Wavespectrum Laser Group

www.wavespectrum-laser.com

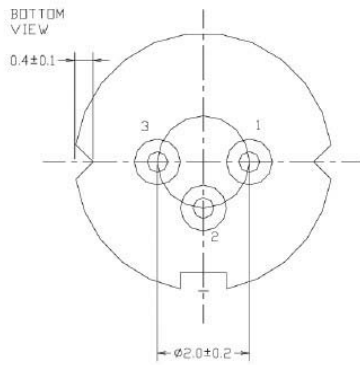
1064nm Laser Diode	50mw	Wavespectrum Laser Group	
Reverse Voltage	V_r	2.0	V
Operating Temperature	T_{op}	-10 ~ +40	°C
Storage Temperature	T_{stg}	-40 ~ +85	°C
Lead soldering temperature (10 sec.)	T_{is}	260	°C
Features: <ul style="list-style-type: none"> 1064nm Built-in PD Single Mode LD TO18 package 			
Applications: <ul style="list-style-type: none"> Medical laser treatment Laser indicator Others 			
Specifications	WSLD-1064-050m-1-PD		
	Min	Type	Max
Center Wavelength@25°C	+/-3nm	1064nm	+/-10nm
Spectral Width (FWHM)	----	1nm	2.0nm
Output Power	50mw	60mw	----
Emitter Size	----	3um*1.5um	----
Beam Divergence (FWHM)	15°± x 8°//	20°± x 10°//	25°± x 12°//
Temperature Coefficient of Wavelength	----	0.3nm / °C	----
Slope Efficiency	----	0.6mW/mA	0.9mW/mA
Threshold Current (Typ.)	----	18mA	25mA
Operating Current (Typ.)	----	125mA	140mA
Operating Voltage	----	2.0V	2.5V
Monitor Current	----	0.35uA	0.50uA
Package Style	TO18		



TO18(5.6mm) Package View



PIN Bottom View:



1	LD(-)
2	LD(+)&PD(-)
3	PD(+)

Electrically shorten LD module and store in non-extreme conditions.
 Suggest using the constant current power supply.



Wavespectrum Laser, Inc.
www.wavespectrum-laser.com
wavespectrumlaser@gmail.com

