

405nm 120mw Single Mode Laser Diode | SMLD

405nm LD |120mw Power|TO18 Package

WSLD-405-120m-1

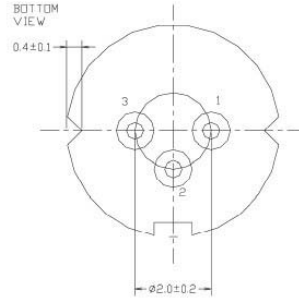
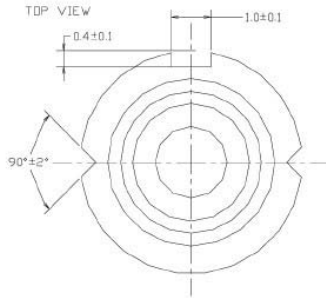
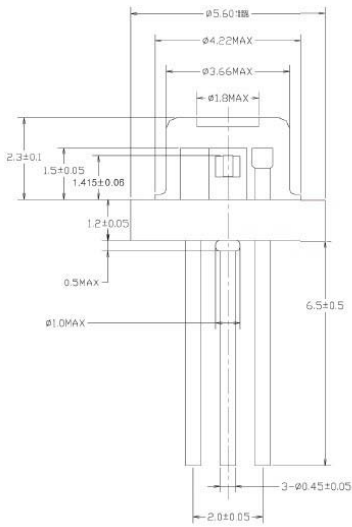
Wavespectrum Laser, Inc.

www.wavespectrum-laser.com

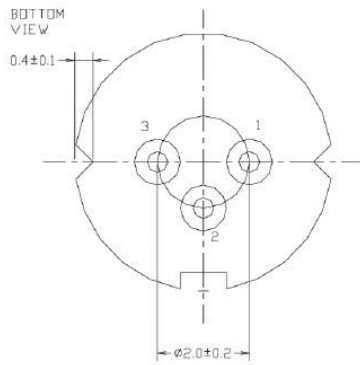
405nm Laser Diode		120mw		Wavespectrum Laser, Inc	
PARAMETER	SYMBOL	VALUE		UNIT	
Reverse Voltage	V_r	5.0		V	
Operating Temperature	T_{op}	-10 ~ +70		°C	
Storage Temperature	T_{stg}	-40 ~ +85		°C	
Lead soldering temperature (10 sec.)	T_{is}	260		°C	
Features: <ul style="list-style-type: none"> 405nm Single Mode Beam TO18 package 					
Applications: <ul style="list-style-type: none"> Medical laser treatment Printing Others 					
Specifications		WSLD-405-120m-1			
		Min	Type	Max	
Center Wavelength@25°C		400nm	405nm	410nm	
Spectral Width (FWHM)		2.0nm			
Output Power		----	100mW	120mW	
Emitter Area		-----			
Beam Divergence (FWHM)		15°± x 7°//	19.5°± x 9°//	23°± x 12°//	
Slope Efficiency		1.2mW/mA	1.4mW/mA	1.9mW/mA	
Threshold Current (Typ.)		----	35mA	50mA	
Operating Current (Typ.)		----	120mA	130mA	
Operating Voltage		----	4.8V	5.5V	
Package Style		TO18 (5.6mm)			



TO18(5.6mm) Package View



PIN Bottom View:



1	LD(+)
2	GND
3	LD(-)

Electrically shorten LD module and store in non-extreme conditions.

Suggest using the constant current power supply.

