




445nm~450nm 50mw Laser Diode| Single mode LD

450nm SM LD| 50mw Power|3.8mm Package

WSLD-445-050m-1

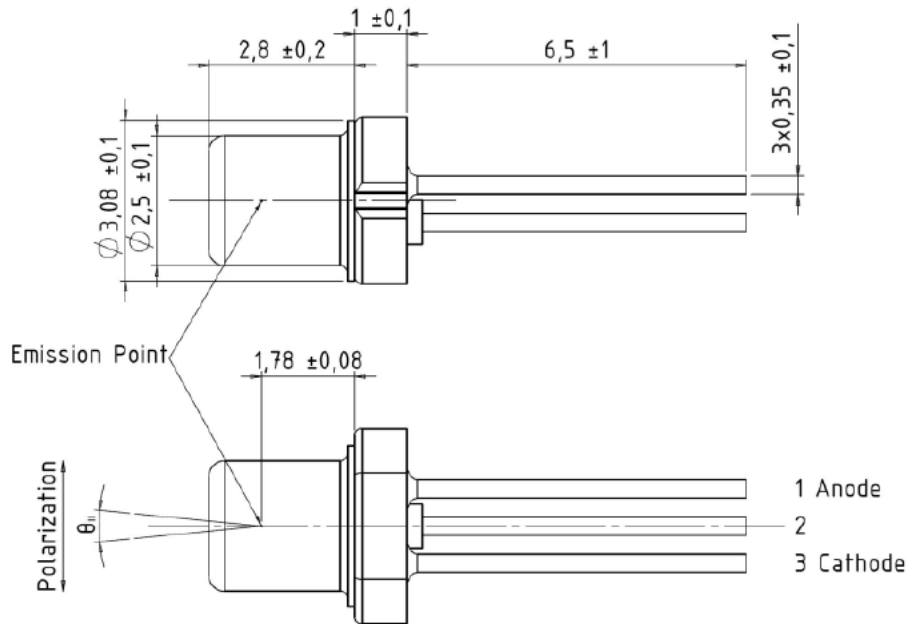
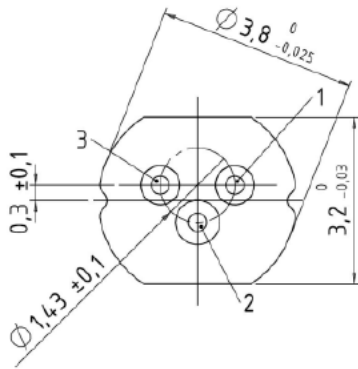
Wavespectrum Laser, Inc.

www.wavespectrum-laser.com

445nm Laser Diode		50mw		Wavespectrum Laser, Inc	
PARAMETER	SYMBOL	VALUE		UNIT	
Reverse Voltage	$V_r$	2.0		V	
Operating Temperature	$T_{op}$	10 ~ +70		°C	
Storage Temperature	$T_{stg}$	-40 ~ +85		°C	
Lead soldering temperature (10 sec.)	$T_{is}$	260		°C	
<b>Features:</b> <ul style="list-style-type: none"> <li>445nm</li> <li>50mW</li> <li>Single Mode Beam</li> <li>3.8mm package</li> </ul>					
<b>Applications:</b> <ul style="list-style-type: none"> <li>Medical laser treatment</li> <li>Laser indicator</li> <li>Laser detector</li> </ul>					
<b>Specifications</b>		<b>WSLD-445-050m-1</b>			
		Min	Type	Max	
Center Wavelength@25°C		440nm	445nm	460nm	
Spectral Width (FWHM)		2.0nm			
Output Power		----	50mW	80mW	
Emitter		Single			
Beam Divergence (FWHM)		15°± x 4°//	21°± x 7°//	25°± x 15°//	
Monitor Current		----			
Slope Efficiency		0.85mW/mA	0.9mW/mA	1.2mW/mA	
Threshold Current (Typ.)		----	30mA	60mA	
Operating Current (Typ.)		----	80mA	120mA	
Operating Voltage		----	5.5V	6.5V	
Package Style		3.8mm			



**PIN Bottom View:**



1	LD(+)
2	GND
3	LD(-)

Electrically shorten LD module and store in non-extreme conditions.

Suggest using the constant current power supply.

