


515nm~520nm 30mW Laser Diode| Single mode Green LD

520nm SM LD| 30mW~40mW Output Power| 3.8mm Package Green diode laser

WSLD-520-030m-1

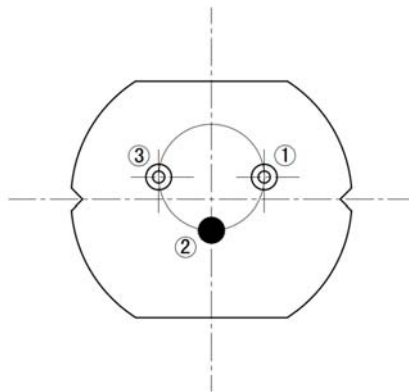
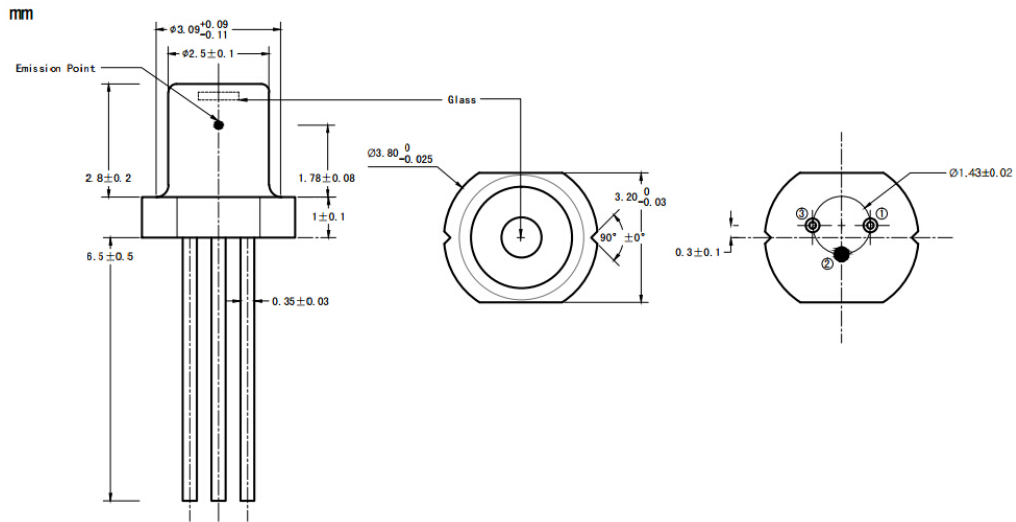
Wavespectrum Laser Group.

www.wavespectrum-laser.com

520nm Laser Diode		Wavespectrum Laser Group	
PARAMETER	SYMBOL	VALUE	UNIT
Reverse Voltage	V_r	2.0	V
Operating Temperature	T_{op}	-20~+60	°C
Storage Temperature	T_{stg}	-40~+85	°C
Lead soldering temperature (10 sec.)	T_{is}	260	°C
Features: <ul style="list-style-type: none"> ● 520nm ● 30mW ● Single Mode Beam ● 3.8mm Package 			
Applications: <ul style="list-style-type: none"> ● Medical laser treatment ● Laser Indicator ● Laser Detector 			
Specifications	WSLD-520-030m-1		
	Min	Type	Max
Center Wavelength@25°C	510nm	520nm	530nm
Spectral Width (FWHM)	2.0nm		
Output Power	----	30mW	----
LD Mode	Single Mode		
Beam Divergence (FWHM)	$5^\circ \pm \times 15^\circ //$	$7^\circ \pm \times 21^\circ //$	$12^\circ \pm \times 24^\circ //$
Threshold Current (Typ.)	----	50mA	75mA
Operating Current (Typ.)	----	150mA	160mA
Operating Voltage	----	7.0V	8.0V
Package Style	3.8mm		



PIN Bottom View:



1	LD(+)
2	GND
3	LD(-)

Electrically shorten LD module and store in non-extreme conditions.
Suggest using the constant current power supply.



Wavespectrum Laser Group
www.wavespectrum-laser.com
sales@wavespectrum-laser.com

