


650nm~660nm 80mW~100mW Single Mode Laser Diode| SM LD

650nm 5.6mm TO18 Package|100mW| Red Laser Diode

WSLD-650-100m-1

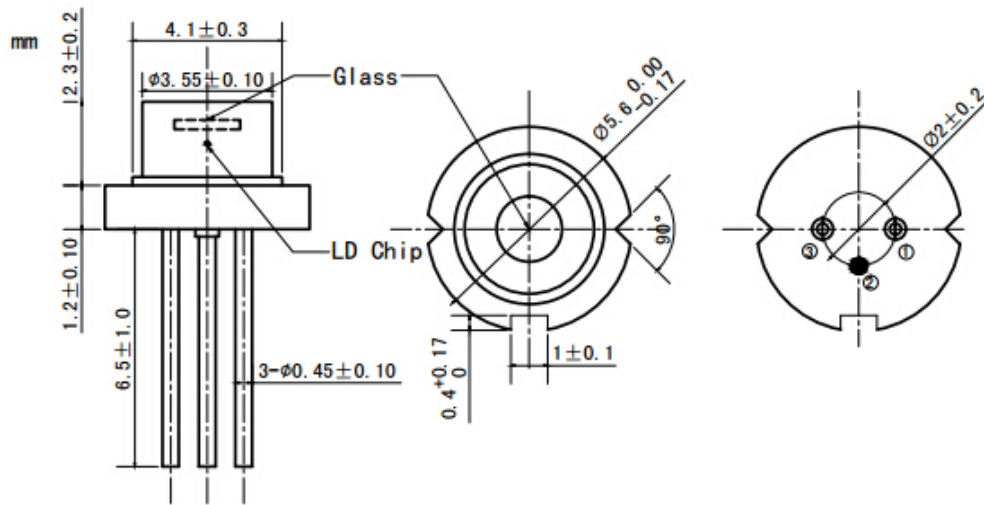
Wavespectrum Laser Group

www.wavespectrum-laser.com

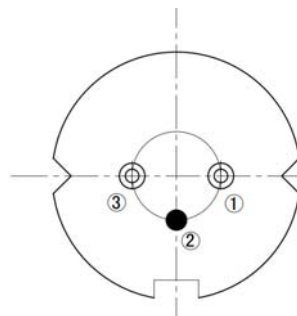
650nm Laser Diode		100mW		Wavespectrum Laser Group	
PARAMETER	SYMBOL	VALUE		UNIT	
Reverse Voltage	$V_r$	2.0		V	
Operating Temperature	$T_{op}$	-10~+60		°C	
Storage Temperature	$T_{stg}$	-40~+85		°C	
Lead soldering temperature (10 sec.)	$T_{is}$	260		°C	
<b>Features:</b> <ul style="list-style-type: none"> <li>650nm</li> <li>Single Mode</li> <li>TO18 package</li> </ul>					
<b>Applications:</b> <ul style="list-style-type: none"> <li>Medical laser treatment</li> <li>Laser indicator</li> </ul>					
<b>Specifications</b>		<b>WSLD-650-100m-1</b>			
		Min	Type	Max	
Center Wavelength@25°C		650nm	658nm	665nm	
Spectral Width (FWHM)		2.0nm			
Output Power		80mW	----	100mW	
Emitter		Single			
Beam Divergence (FWHM)		----	$10^\circ_{\perp} \times 17^\circ_{//}$	----	
Monitor Current		----			
PD Reverse Voltage		----			
PD Forward Current		----			
Slope Efficiency		----	1.0mW/mA	----	
Threshold Current (Typ.)		----	65mA	85mA	
Operating Current (Typ.)		----	160mA	180mA	
Operating Voltage		----	2.5V	3.0V	
Package Style		TO18 (5.6mm)			



TO18(5.6mm) Package View



PIN Bottom View:



1	LD(+)
2	LD(-)
3	NC

Electrically shorten LD module and store in non-extreme conditions.  
Suggest using the constant current power supply.

