

650nm~660nm 150mW Single Mode Laser Diode| SM LD | Red Laser Diode

660nm 5.6mm TO18 Package|150mW| SM LD

WSLD-650-150m-1

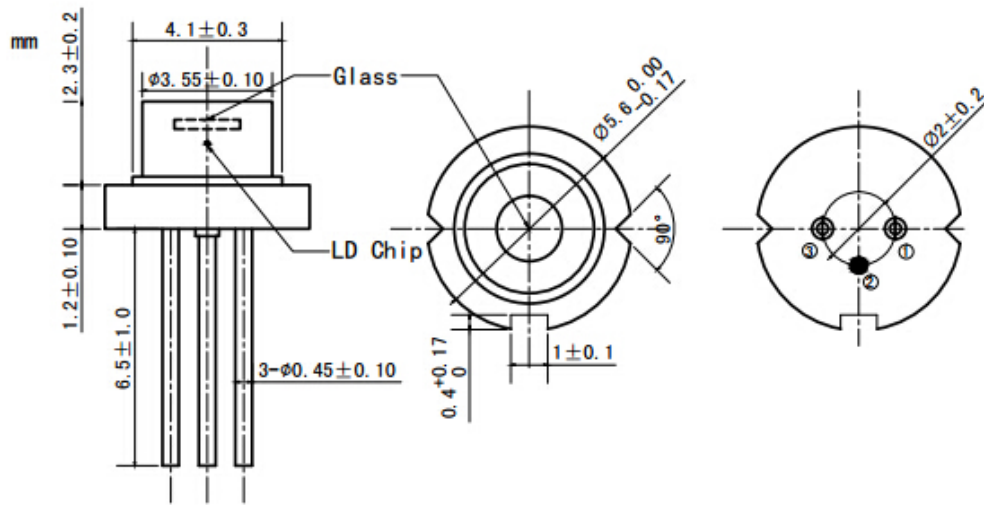
Wavespectrum Laser Group

www.wavespectrum-laser.com

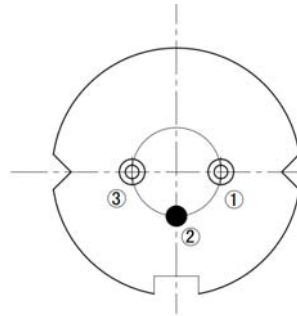
660nm Laser Diode		150mW		Wavespectrum Laser Group	
PARAMETER	SYMBOL	VALUE	UNIT		
Reverse Voltage	V_r	2.0	V		
Operating Temperature	T_{op}	-10~+60	°C		
Storage Temperature	T_{stg}	-40~+85	°C		
Lead soldering temperature (10 sec.)	T_{is}	260	°C		
Features: <ul style="list-style-type: none"> ● 658nm ● Single Mode Beam ● TO18 Package 					
Applications: <ul style="list-style-type: none"> ● Medical laser treatment ● Laser indicator ● Others 					
Specifications		WSLD-650-150m-1			
		Min	Type	Max	
Center Wavelength@25°C		650nm	658nm	665nm	
Spectral Width (FWHM)		2.0nm			
Output Power (CW)		----	150mW	----	
Emitter		Single			
Beam Divergence (FWHM)		----	$14^\circ \pm \times 10^\circ //$	$16^\circ \pm \times 13^\circ //$	
Monitor Current		----			
Slope Efficiency		0.8mW/mA	1.0mW/mA	----	
Threshold Current (Typ.)		----	50mA	70mA	
Operating Current (Typ.)		----	220mA	250mA	
Operating Voltage		----	2.5V	3V	
Package Style		TO18 (5.6mm)			



TO18(5.6mm) Package View



PIN Bottom View:



1	LD(+)
2	LD(-)
3	NC

Electrically shorten LD module and store in non-extreme conditions.
Suggest using the constant current power supply.

