

650nm~660nm 180mW~200mW Single Mode Laser Diode| SM LD

660nm 5.6mm Package|180mW| SM LD |Red Laser Diode

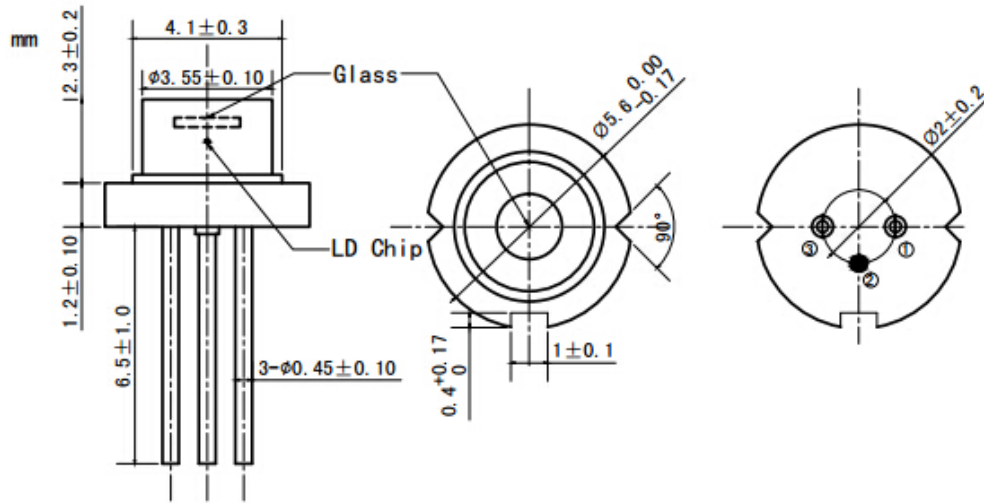
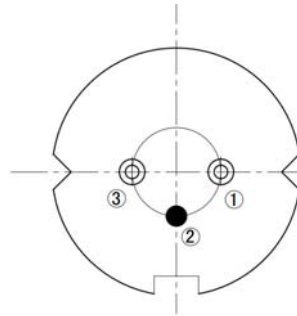
WSLD-650-180m-1

Wavespectrum Laser Group

www.wavespectrum-laser.com

660nm Laser Diode		Wavespectrum Laser Group	
PARAMETER	SYMBOL	VALUE	UNIT
Reverse Voltage	V_r	2.0	V
Operating Temperature	T_{op}	-10~+50	°C
Storage Temperature	T_{stg}	-40~+85	°C
Lead soldering temperature (10 sec.)	T_{is}	260	°C
Features: <ul style="list-style-type: none"> ● 660nm ● Single Mode Beam ● TO18 Package 			
Applications: <ul style="list-style-type: none"> ● Medical laser treatment ● Laser indicator ● Others 			
Specifications	WSLD-650-180m-1		
	Min	Type	Max
Center Wavelength@25°C	650nm	658nm	665nm
Spectral Width (FWHM)	2.0nm		
Output Power (CW)	----	180mW	----
Emitter	Single		
Beam Divergence (FWHM)	----	$14^\circ \pm \times 10^\circ //$	$16^\circ \pm \times 13^\circ //$
Monitor Current	----		
Slope Efficiency	----	1.0mW/mA	----
Threshold Current (Typ.)	----	55mA	75mA
Operating Current (Typ.)	----	260mA	280mA
Operating Voltage	----	2.7V	3V
Package Style	TO18 (5.6mm)		



TO18(5.6mm) Package View

PIN Bottom View:


1	LD(+)
2	LD(-)
3	NC

Electrically shorten LD module and store in non-extreme conditions.

Suggest using the constant current power supply.

