

820nm~830nm~840nm 150mw Single Mode LD| SM Laser Diode|5.6mm TO18 Package
830nm SM Laser Diodes |Single Mode LD|150mw Power

WSLD-830-150m-1-PD

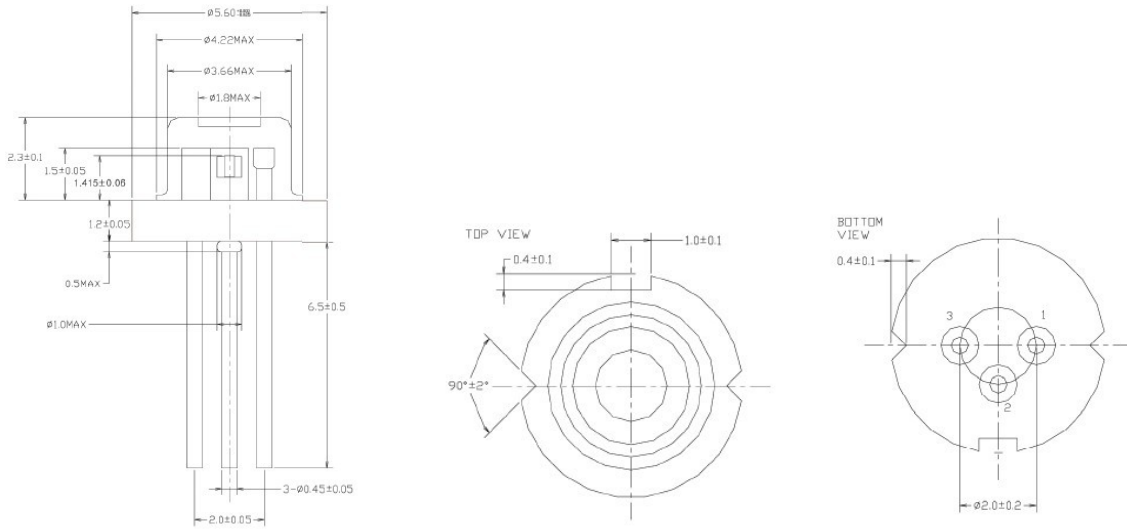
Wavespectrum laser Group.

www.wavespectrum-laser.com

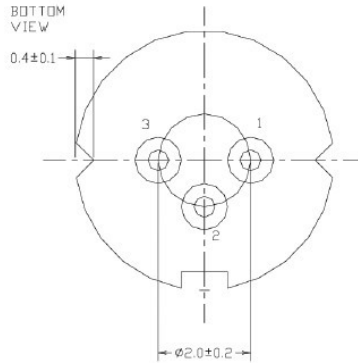
830nm Laser Diode PD 150mw		Wavespectrum Laser Group	
Reverse Voltage	V_r	2.0	V
Operating Temperature	T_{op}	-20 ~ +50	°C
Storage Temperature	T_{stg}	-40 ~ +80	°C
Lead soldering temperature (10 sec.)	T_{is}	280	°C
Features: <ul style="list-style-type: none"> ● 830nm ● Single Mode ● Built-in PD ● TO18 package 			
Applications: <ul style="list-style-type: none"> ● Medical laser treatment ● Laser indicator ● Laser detector 			
Specifications	WSLD-830-150m-1-PD		
	Min	Type	Max
Center Wavelength@25°C	820nm	830nm	840nm
Spectral Width (FWHM)	2.0nm		
Output Power	150mw		
Emitter Size	1µm x 3µm		
Beam Divergence (FWHM)	$8^\circ \perp \times 28^\circ //$		
Monitor Current	0.6mA		
PD Reverse Voltage	25V		
Slope Efficiency	0.75mW/mA	0.85mW/mA	
Threshold Current (Typ.)	40A	45mA	50mA
Operating Current (Typ.)		220mA	240mA
Operating Voltage		2.4V	3.0V
Package Style	TO18		



TO18(5.6mm) Package View



PIN Bottom View:



1	LD(-)
2	LD(+)&PD(-)
3	PD(+)

Electrically shorten LD module and store in non-extreme conditions.

Suggest using the constant current power supply.

