


405nm 50mW SM Coaxial Pigtailed LD with SMF

405nm Single Mode Fiber Coupled Laser Diode

WSLP-405-050m-4

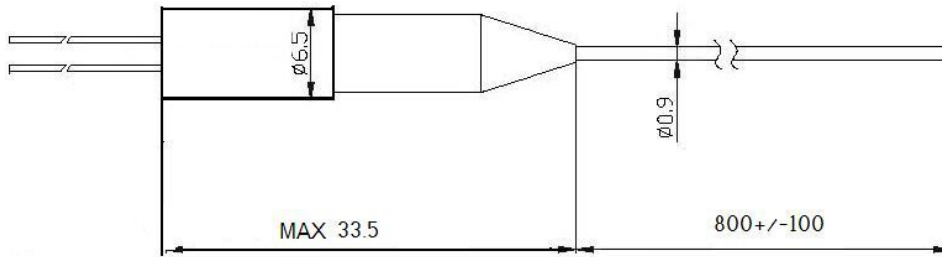
Wavespectrum Laser Group

www.wavespectrum-laser.com

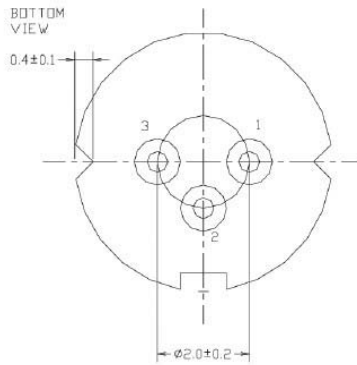
PARAMETER	SYMBOL	VALUE	UNIT
Reverse Voltage	V_r	5.0	V
Operating Temperature	T_{op}	0 ~ +70	°C
Storage Temperature	T_{stg}	-35 ~ +85	°C
Lead soldering temperature (10 sec.)	T_{is}	260	°C
Features: <ul style="list-style-type: none"> • 405nm • 3um SM UV Fiber • Coaxial package • PD Optional 			
Applications: <ul style="list-style-type: none"> • Medical laser treatment • Printing • Others 			
Specifications	WSLP-405-050m-4		
	Min	Type	Max
Center Wavelength@25°C	400nm	405nm	410nm
Spectral Width (FWHM)	----	2.0nm	----
Output Power	----	50mw	----
Fiber Type	UV Single Mode Fiber		
Fiber Core	3um		
Recommend Operating Temperature	25°C		
Fiber Connector	FC		
Fiber Length	----	80cm	100cm
Threshold Current (Typ.)	----	35mA	50mA
Operating Current (Typ.)	----	120mA	130mA
Operating Voltage	----	4.6V	5.5
Package Style	Coaxial		
Photodiodes	Optional		



Coaxial Package View



PIN Bottom View:



1	LD(+)
2	GND
3	LD(-)

Electrically shorten LD module and store in non-extreme conditions.
 Suggest using the constant current power supply.



Wavespectrum Laser, Inc.
www.wavespectrum-laser.com
wavespectrumlaser@gmail.com

