

450nm 30mW~40mw SM Coaxial Fiber Coupled Laser Diode with SMF

445nm SM Pigtailed LD with Single Mode Fiber (SM Fiber)

WSLP-445-030m-4

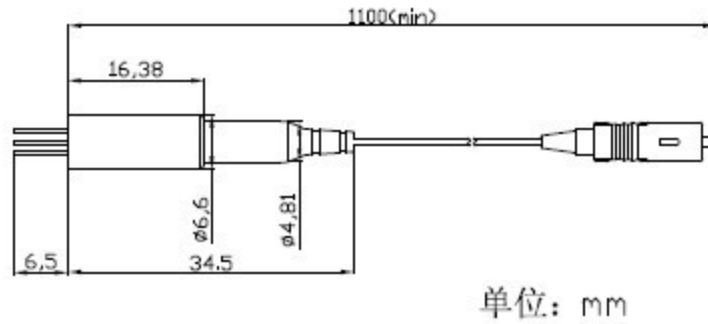
Wavespectrum laser inc.

www.wavespectrum-laser.com

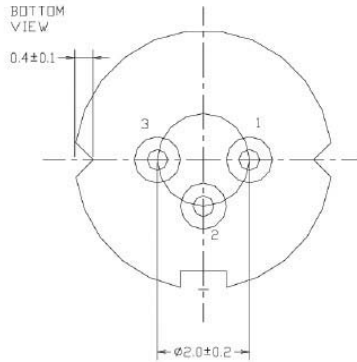
445nm Pigtailed Diode Laser		30mW/SM Fiber		Wavespectrum Laser, Inc	
PARAMETER	SYMBOL	VALUE	UNIT		
Reverse Voltage	V_r	2.0	V		
Operating Temperature	T_{op}	+10 ~ +70	°C		
Storage Temperature	T_{stg}	-40 ~ +85	°C		
Lead soldering temperature (10 sec.)	T_{is}	260	°C		
Features: <ul style="list-style-type: none"> • 445nm • UV 3um SM Fiber • Coaxial package • PD Optional 					
Applications: <ul style="list-style-type: none"> • Medical laser treatment • Printing • Others 					
Specifications	WSLP-445-030m-4				
	Min	Type	Max		
Center Wavelength@25°C	440nm	445nm	460nm		
Spectral Width (FWHM)	----	2.0nm	----		
Output Power	----	30mW	40mW		
Fiber Type	UV SM Fiber				
Fiber Core	3um				
Recommend Operating Temperature	25°C				
Fiber Connector	FC				
Fiber Length	----	80cm	100cm		
Threshold Current (Typ.)	----	30mA	60mA		
Operating Current (Typ.)	----	90mA	120mA		
Operating Voltage	----	5.5V	6.5V		
Package Style	Coaxial				
Photodiode	Optional				



Coaxial Package View



PIN Bottom View:



1	LD(+)
2	GND
3	LD(-)

Electrically shorten LD module and store in non-extreme conditions.
Suggest using the constant current power supply.



Wavespectrum Laser, Inc.
www.wavespectrum-laser.com
wavespectrumlaser@gmail.com

