

**532nm SM 10mw~20mw Coaxial Pigtailed LD| Green Laser Diode| Built-in PD| TEC Cooling
532nm SM Fiber Coupled Laser Diode with Single Mode Fiber (SM Fiber)**

WSLP-532-020m-4-PD

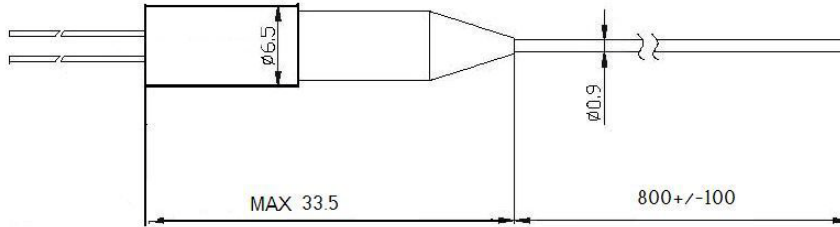
Wavespectrum laser Group

www.wavespectrum-laser.com

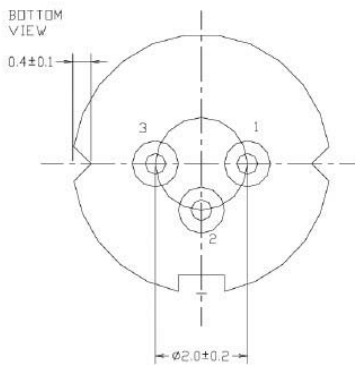
Green Pigtailed Diode Laser		20mW/SM Fiber		Wavespectrum Laser Group	
PARAMETER	SYMBOL	VALUE	UNIT		
Reverse Voltage	V_r	2.0	V		
Operating Temperature	T_{op}	-10 ~ +50	°C		
Storage Temperature	T_{stg}	-40 ~ +85	°C		
Lead soldering temperature (10 sec.)	T_{is}	260	°C		
Features: <ul style="list-style-type: none"> • 532nm Green Laser • 4um SM Fiber • With PD • TEC Cooling Optional 					
Applications: <ul style="list-style-type: none"> • Medical laser treatment • Others 					
Specifications	WSLP-532-020m-4-PD				
	Min	Type	Max		
Center Wavelength@25°C	----	532nm	----		
Output Power	----	20mW	----		
Fiber Type	Single Mode Fiber				
Fiber Core	4um				
Recommended Operating Temperature	25°C				
Fiber Connector	FC				
Fiber Length	----	80cm	100cm		
Threshold Current (Typ.)	----	145mA	----		
Operating Current (Typ.)	----	490mA	----		
Operating Voltage	----	2.0V	----		
Package Style	Coaxial / HHL				
TEC Cooling	Optional				



Coaxial Package View



PIN Bottom View:



1	LD(-)
2	LD(+)&PD(-)
3	PD(+)

Electrically shorten LD module and store in non-extreme conditions.
Suggest using the constant current power supply.



Wavespectrum Laser, Inc.
www.wavespectrum-laser.com
wavespectrumlaser@gmail.com

