



**635nm 20mw~30mw SM Fiber Coupled Laser Diode with SMF  
635nm Coaxial Pigtailed LD with Single Mode Fiber (SM Fiber)**

WSLP-635-030m-4

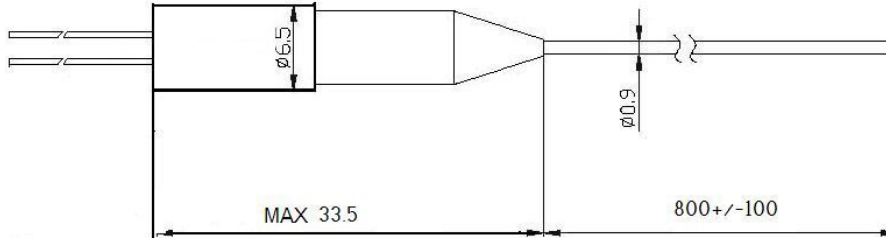
Wavespectrum Laser Group

www.wavespectrum-laser.com

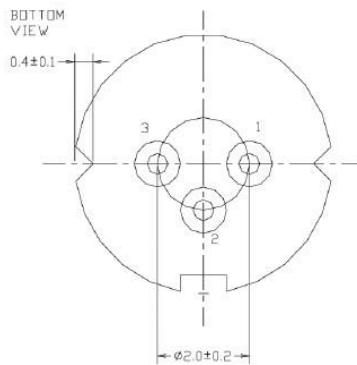
635nm Pigtailed Diode Laser		30mW/SM Fiber		Wavespectrum Laser Group	
PARAMETER	SYMBOL	VALUE	UNIT		
Reverse Voltage	$V_r$	2.0	V		
Operating Temperature	$T_{op}$	-10 ~ +60	°C		
Storage Temperature	$T_{stg}$	-40 ~ +100	°C		
Lead soldering temperature (10 sec.)	$T_{is}$	260	°C		
<b>Features:</b> <ul style="list-style-type: none"> <li>• 635nm</li> <li>• SM Fiber</li> <li>• Coaxial package</li> </ul>					
<b>Applications:</b> <ul style="list-style-type: none"> <li>• Medical laser treatment</li> <li>• Aiming beam</li> <li>• Others</li> </ul>					
<b>Specifications</b>	<b>WSLP-635-030m-4</b>				
	Min	Type	Max		
Center Wavelength@25°C	632nm	637nm	644nm		
Recommended work Temperature	25°C				
Output Power	20mw	30mw	----		
Fiber Type	Single Mode				
Fiber Core	4um				
Monitor Current	----	----	----		
PD Reverse Voltage	----	----	----		
Fiber Connector	FC				
Fiber Length	----	80cm	100cm		
Threshold Current (Typ.)	----	50mA	70mA		
Operating Current (Typ.)	----	185mA	200mA		
Operating Voltage	----	2.6V	3.0V		
Package Style	Coaxial				
PD	Optional				



## Coaxial Package View



## PIN Bottom View:



<b>1</b>	<b>LD(+)</b>
<b>2</b>	<b>GND</b>
<b>3</b>	<b>LD(-)</b>

Electrically shorten LD module and store in non-extreme conditions.  
Suggest using the constant current power supply.



Wavespectrum Laser, Inc.  
www.wavespectrum-laser.com  
wavespectrumlaser@gmail.com

