

**650nm~660nm 100mw SM Fiber Coupled Laser Diode with SMF**

**650nm Coaxial Pigtailed LD with Single Mode Fiber (SM Fiber)**

**WSLP-650-100m-4**

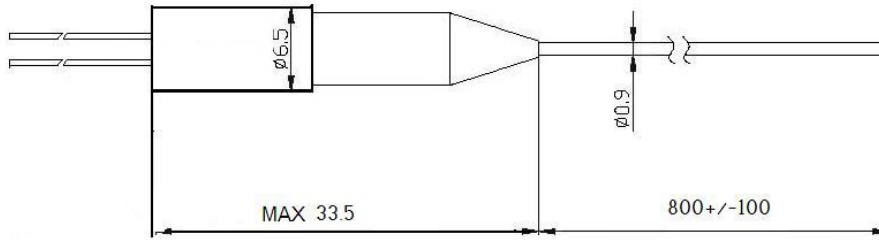
**Wavespectrum Laser Group**

[www.wavespectrum-laser.com](http://www.wavespectrum-laser.com)

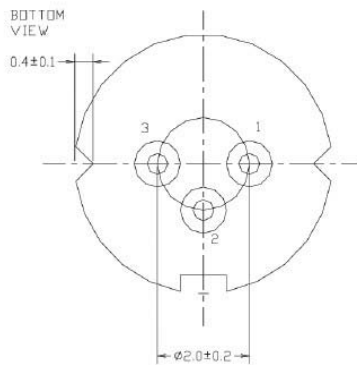
| 650nm Pigtailed Diode Laser  |                   | 100m W/SM Fiber  |       | Wavespectrum Laser, Inc |  |
|--|-------------------|--|-------|-------------------------|--|
| PARAMETER  | SYMBOL            | VALUE  | UNIT  |                         |  |
| Reverse Voltage  | $V_r$             | 2.0  |       | V                       |  |
| Operating Temperature  | $T_{op}$          | -10 ~ +75  |       | °C                      |  |
| Storage Temperature  | $T_{stg}$         | -40 ~ +100   |       | °C                      |  |
| Lead soldering temperature (10 sec.)   | $T_{is}$          | 260  |       | °C                      |  |
| <b>Features:</b> <ul style="list-style-type: none"> <li>650nm</li> <li>Single Mode Fiber</li> <li>Coaxial package</li> </ul> |                   |  |       |                         |  |
| <b>Applications:</b> <ul style="list-style-type: none"> <li>Medical laser treatment</li> <li>Other</li> </ul>                |                   |  |       |                         |  |
| <b>Specifications</b>  |                   | <b>WSLP-650-100m-4</b>   |       |                         |  |
|  | Min               | Type   | Max   |                         |  |
| Center Wavelength@25°C   | 654nm             | 658nm  | 662nm |                         |  |
| Spectral Width (FWHM)  | ----              | 2.0nm  | ----  |                         |  |
| Output Power   | ----              | 90mW   | 100mW |                         |  |
| Fiber Type   | Single Mode Fiber |  |       |                         |  |
| Fiber Core   | 4um               |  |       |                         |  |
| Recommend Operating Temperature  | 25°C              |  |       |                         |  |
| Fiber Connector  | FC                |  |       |                         |  |
| Fiber Length   | ----              | 80cm   | 100cm |                         |  |
| Threshold Current (Typ.)   | ----              | 70mA   | 90mA  |                         |  |
| Operating Current (Typ.)   | ----              | 260mA  | 280mA |                         |  |
| Operating Voltage  | ----              | 2.4V   | 3.0V  |                         |  |
| Package Style  | Coaxial           |  |       |                         |  |



## Coaxial Package View



## PIN Bottom View:



|          |              |
|----------|--------------|
| <b>1</b> | <b>LD(+)</b> |
| <b>2</b> | <b>LD(-)</b> |
| <b>3</b> | <b>NC</b>    |

Electrically shorten LD module and store in non-extreme conditions.  
Suggest using the constant current power supply.



Wavespectrum Laser, Inc.  
www.wavespectrum-laser.com  
wavespectrumlaser@gmail.com

