
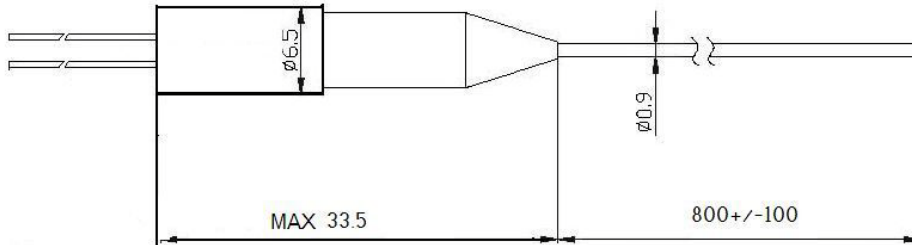


**808nm 15mw~20mw SM Coaxial Pigtailed Laser Diode with SMF**
**808nm~810nm SM Fiber Coupled LD with Single Mode Fiber (SM Fiber)**
**WSLP-808-020m-4-PD**
**Wavespectrum Laser Group**
**www.wavespectrum-laser.com**

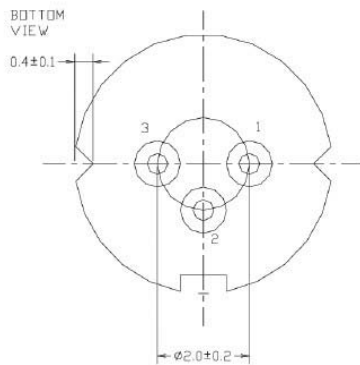
808nm Pigtailed Diode Laser		20mW/SM Fiber		Wavespectrum Laser, Inc	
PARAMETER	SYMBOL	VALUE		UNIT	
Reverse Voltage	$V_r$	2.0		V	
Operating Temperature	$T_{op}$	-10~+60		°C	
Storage Temperature	$T_{stg}$	-40 ~ +80		°C	
Lead soldering temperature (10 sec.)	$T_{is}$	260		°C	
<b>Features:</b> <ul style="list-style-type: none"> <li>• 808nm</li> <li>• SM Fiber</li> <li>• Coaxial package</li> <li>• Built-in PD</li> </ul>					
<b>Applications:</b> <ul style="list-style-type: none"> <li>• Medical laser treatment</li> <li>• Sensor</li> <li>• Others</li> </ul>					
<b>Specifications</b>		<b>WSLP-808-020m-4-PD</b>			
	Min	Type	Max		
Center Wavelength@25°C	+/-3nm	808nm	+/-10nm		
Recommend Operating Temperature	25°C				
Output Power	15mw	20mw	----		
Fiber Type	Single Mode Fiber				
Fiber Core	5um				
Monitor Current	----	0.2mA	0.5mA		
PD Reverse Voltage	----	30V	----		
Fiber Connector	FC				
Fiber Length	----	80cm	100cm		
Threshold Current (Typ.)	----	15mA	30mA		
Operating Current (Typ.)	----	145mA	160mA		
Operating Voltage	----	2.2V	2.5V		
Package Style	Coaxial				
Photodiode	Built-in				



**Coaxial Package View**



**PIN Bottom View:**



<b>1</b>	<b>LD(-)</b>
<b>2</b>	<b>LD(+)&amp;PD(-)</b>
<b>3</b>	<b>PD(+)</b>

Electrically shorten LD module and store in non-extreme conditions.  
Suggest using the constant current power supply.



Wavespectrum Laser, Inc.  
www.wavespectrum-laser.com  
wavespectrumlaser@gmail.com

