
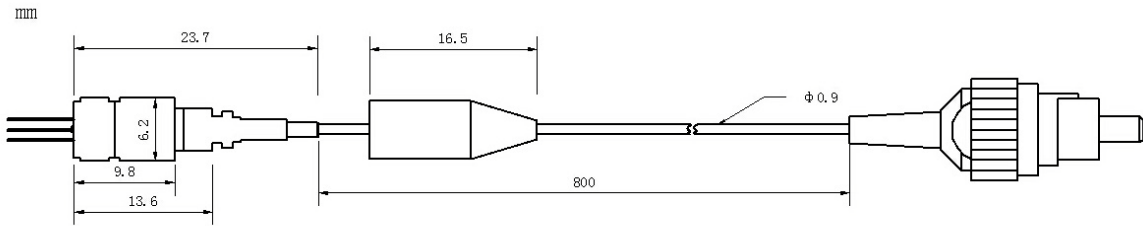


**850nm 5mw~10mw SM Coaxial Pigtailed Laser Diode with SMF | With Photodiode**
**850nm SM Fiber Coupled LD with Single Mode Fiber (SM Fiber) | Built-in PD**
**WSLP-850-005m-4-PD**
**Wavespectrum Laser Group**
**www.wavespectrum-laser.com**

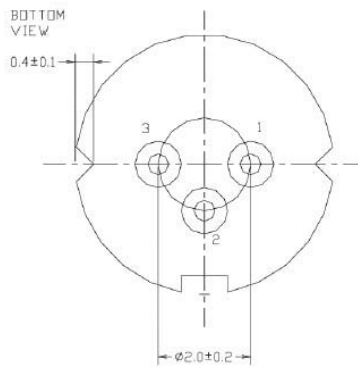
850nm Pigtailed Diode Laser		5mW/SM Fiber		Wavespectrum Laser Group	
PARAMETER	SYMBOL	VALUE	UNIT		
Reverse Voltage	$V_r$	2.0	V		
Operating Temperature	$T_{op}$	-10~+50	°C		
Storage Temperature	$T_{stg}$	-40~+85	°C		
Lead soldering temperature (5 sec.)	$T_{is}$	250	°C		
<b>Features:</b> <ul style="list-style-type: none"> <li>● 850nm</li> <li>● With SM Fiber</li> <li>● Coaxial Package</li> <li>● Built-in PD</li> </ul>					
<b>Applications:</b> <ul style="list-style-type: none"> <li>● Medical Laser Treatment</li> <li>● Sensor</li> <li>● Others</li> </ul>					
<b>Specifications</b>	<b>WSLP-850-005m-4-PD</b>				
	Min	Type	Max		
Center Wavelength@25°C	840nm	850nm	860nm		
Recommend Operating Temperature	25°C				
Output Power		5mW	10mW		
Fiber Type	Single Mode Fiber				
Fiber Core	5um				
Monitor Current	----	0.15mA	0.5mA		
PD Reverse Voltage	----	30V	----		
Fiber Connector	FC				
Fiber Length	----	80cm	100cm		
Threshold Current (Typ.)	----	15mA	20mA		
Operating Current (Typ.)	----	60mA	80mA		
Operating Voltage	----	2.1V	2.4V		
Package Style	Coaxial				
Photodiodes	Built-in				



### Coaxial Package View



### PIN Bottom View:



<b>1</b>	<b>LD(-)</b>
<b>2</b>	<b>LD(+)&amp;PD(-)</b>
<b>3</b>	<b>PD(+)</b>

Electrically shorten LD module and store in non-extreme conditions.  
 Suggest using the constant current power supply.



Wavespectrum Laser, Inc.  
[www.wavespectrum-laser.com](http://www.wavespectrum-laser.com)  
[wavespectrumlaser@gmail.com](mailto:wavespectrumlaser@gmail.com)

