


Coaxial Package Pigtailed InGaAs PIN Photodetectors

-----Wavespectrum Laser Inc.

Features: <ul style="list-style-type: none"> ● High Responsivity ● Low dark current ● Low terminal capacitance ● Coaxial packages ● Receptacle packages available 	
Applications: <ul style="list-style-type: none"> ● Test Equipments ● Analog Optical Receiver 	

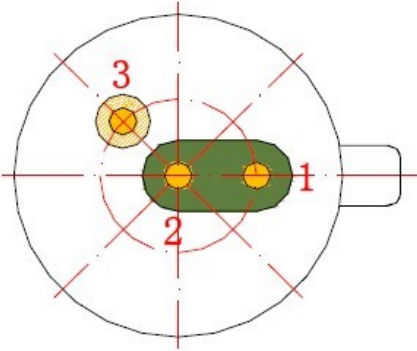
Absolute Maximum Ratings

PARAMETER	SYMBOL	VALUE	UNIT
Operating Temperature	T _{op}	-40~+85	°C
Storage Temperature	T _{stg}	-40 ~ +125	°C
Reverse Voltage	V _r	15	V
Forward Current	I _f	2.0	mA
Lead Soldering Temperature(10 sec.)	T _{is}	260	°C

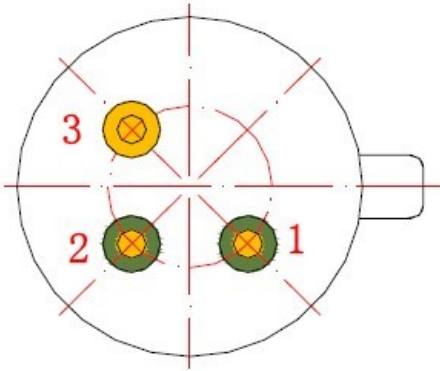
Detailed specification

Specifications	Testing condition	WSPP-IGA-55-9			Unit
		Min	Type	Max	
Sensitive Area	----		55		μm
Responsibility	=1310nm	0.8	0.85	----	A/W
	=1550nm	0.85	0.90	----	
Response Spectrum	-----	1100	1310	1650	nm
Dark Current (Typical)	V _r =5V		0.3	2.0	nA
Capacitance	V _r =5V	----	0.7	1.0	PF
Rise / Fall time	V _r =5V	----	----	0.30	ns
Bandwidth	3dB	----	2.0	----	GHz
Saturation power(Typical)	V _r =5V	----	2	----	mW
Fiber Core			9		um
Fiber Length			100		cm
Fiber Connector		FC/SC/ST			



PIN View:
A:


1	PD(+)
2	PD(-)
3	GND

B:


1	PD(+)
2	PD(-)
3	GND

Package size
