

# BPR-30-U-M



DEVICE

## 30 Gbit/s Balanced PhotoReceiver, Module

OVERVIEW

Optilab BPR-30-U-M is a 30 Gbit/s balanced photo receiver module. It features AC coupling and high differential gain of typically 2800 V/W. It is a differential front-end for digital applications such as 43 Gbit/s DPSK communication. The BPR-30-U-M contains two waveguide-integrated pin-photodiodes (PD) and a limiting amplifier (LA), which provides a differential output voltage swing of typ. 600 mV. With built-in MCU and USB remote interface, the input optical power can be monitored and the threshold voltage can be easily adjusted for each optical path to ensure an optimized differential output signal. The BPR-30-U-M has well balanced optical & electrical paths so that a total skew of less than 10 ps is achieved. Contact Optilab for more information.

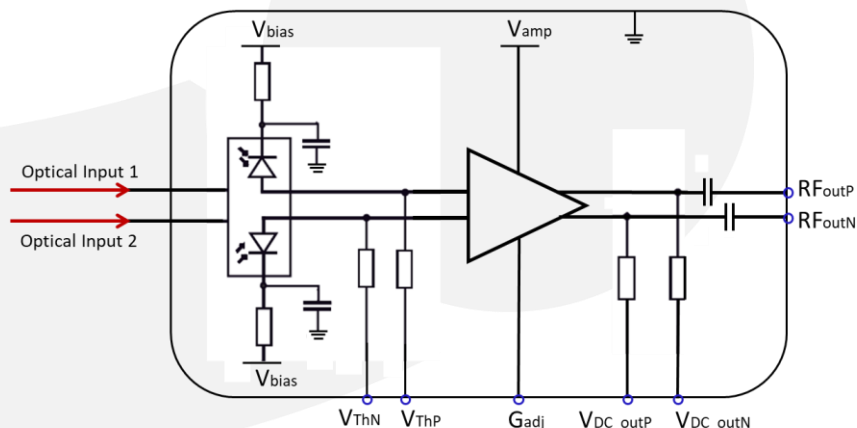
FEATURES

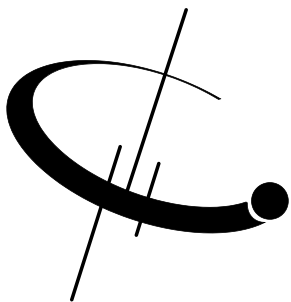
- USB Power and Control
- Differential RF Output
- Built-in DC Block for AC Coupling
- Adjustable High Gain TIA
- Remote Threshold Control
- Low Skew

USE IN

- Low Noise Transmission System
- Transponder and Line Card Design
- 43 Gbit/s DPSK Communication Systems
- OC-768/STM-306 System

FUNCTION DIAGRAM





# BPR-30-U-M

## SPECIFICATIONS

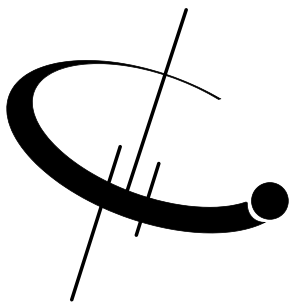
Operating Wavelength Range	1530 nm to 1630 nm
Optical Input Signal Level	-10 to 4 dBm
S21 Bandwidth	26 GHz typ.
Bit Rate	30 Gbit/s typ.
Conversion Gain	2800 V/W typ. 2000 V/W min.
Optical Return Loss	30 dB typ.
Polarization Dependent Loss	0.4 dB typ.
Low Frequency Cutoff	100 kHz max.
Sensitivity	-8 dBm typ.
Differential Voltage Swing	600 mV typ.
Pulse Width	25 ps typ. 26 ps max.
Skew	10 ps max.
Threshold Voltage Setting Range	-3V to +3V

## GENERAL

Operating Temperature	0°C to +60°C
Storage Temperature	-40 °C to 85 °C
Operating Humidity	5% to 85% Relative Humidity
Power Supply	+5 V DC (Via USB)
Power Consumption	1 W typ.
Control Interface	USB
Housing Dimensions	150 mm x 150 mm x 30 mm
Fiber Connector	FC/APC
Optical Fiber	SMF-28
RF Output Connector	SMA, female, differential

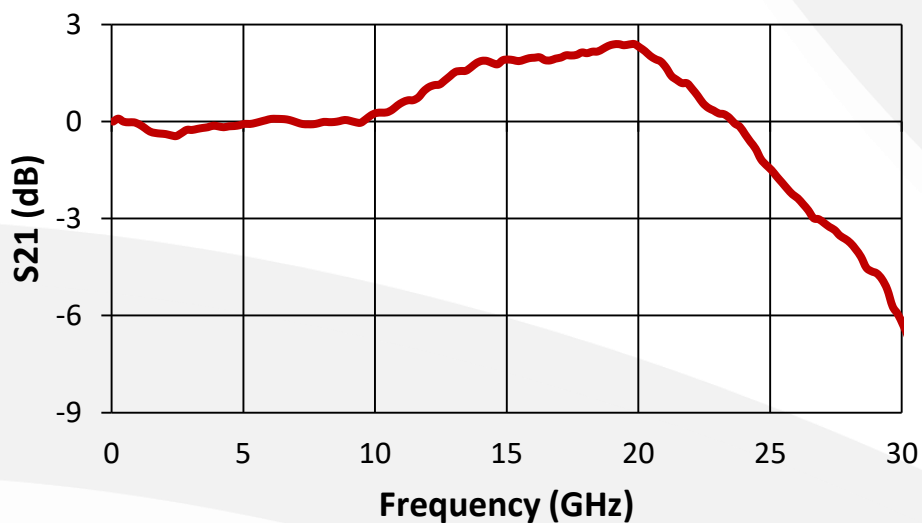
## MECHANICAL



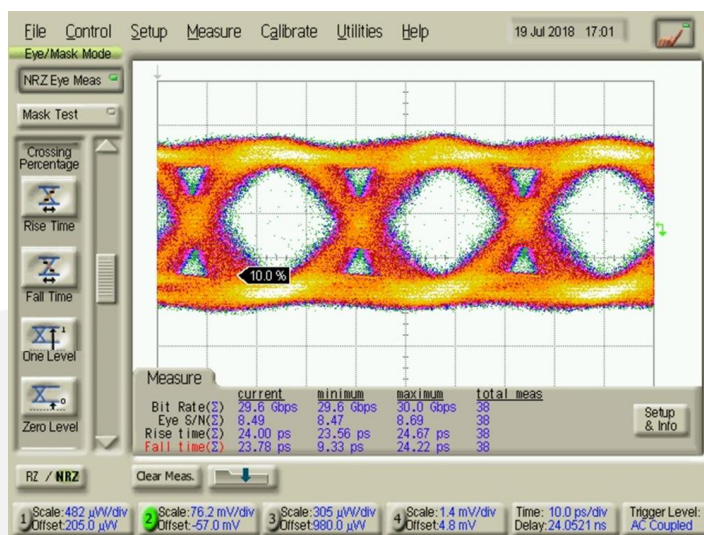


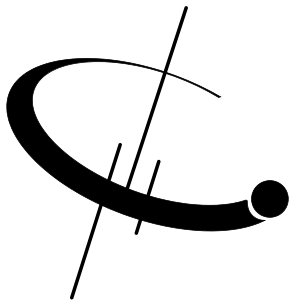
# BPR-30-U-M

Typical S21 Characteristics



Typical 30 Gbit/s Eye Diagram





# BPR-30-U-M

Mechanical Drawing

Unit: mm

